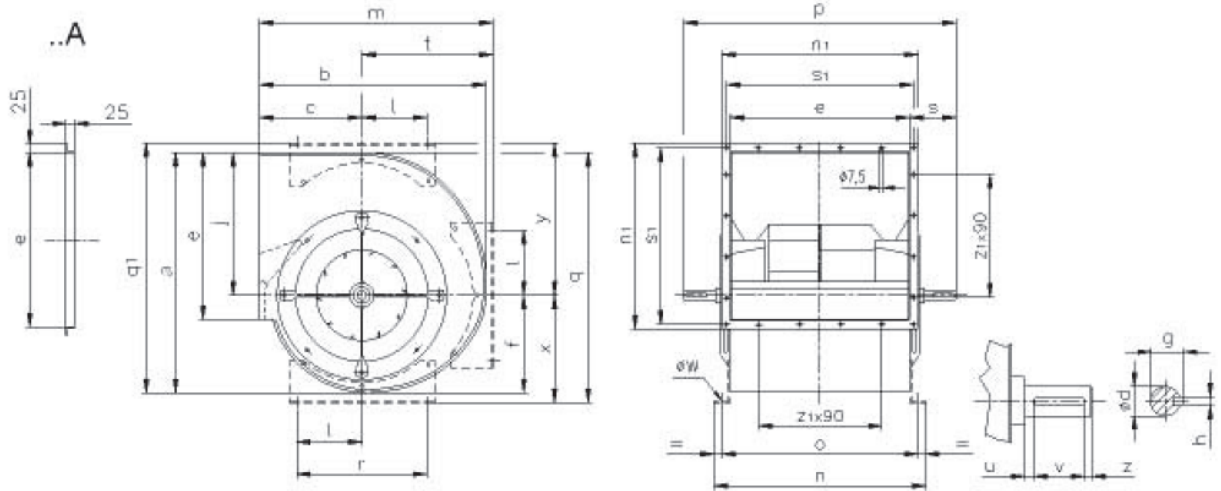


Radial Fan
THLZ 180 B to 450 B
 Dimensions and technical details



THLZ	a (")	b (")	c (")	Φd	e (")	f (")	g (")	h (")	j (")	l (")	m (")	n (")	n1 (")	o (")	p (")	q (")	q1 (")
180	12.91	12.32	6.02	20 mm	9.02	5.24	0.89	0.24	7.68	3.54	12.48	10.98	10.98	10.00	14.76	14.13	14.06
200	14.33	13.46	6.46	20 mm	10.08	5.83	0.89	0.24	8.50	4.41	13.70	12.05	12.05	11.06	15.94	15.63	15.47
225	16.10	14.96	7.09	20 mm	11.34	6.54	0.89	0.24	9.57	4.41	15.12	13.31	13.31	12.32	17.13	17.32	17.32
250	17.87	16.42	7.68	20 mm	12.68	7.24	0.89	0.24	10.63	4.41	16.61	14.65	14.65	13.66	18.50	18.90	19.02
280	20.04	18.27	8.46	25 mm	14.21	8.15	1.10	0.31	11.89	5.51	18.39	16.57	16.18	15.39	21.26	21.06	21.06
315	22.56	20.31	9.29	25 mm	15.91	9.17	1.10	0.31	13.43	5.51	20.31	18.27	17.87	17.09	23.03	23.62	30.35
355	25.43	22.68	10.28	30 mm	17.83	10.31	1.30	0.31	15.12	6.99	22.87	20.98	19.80	19.41	25.79	25.87	26.46
400	28.58	25.39	11.46	30 mm	19.96	11.65	1.30	0.31	17.01	6.99	25.55	23.11	21.93	21.54	27.91	28.86	29.80
450	32.20	28.43	12.68	35 mm	22.40	13.07	1.50	0.39	19.13	8.86	28.70	25.55	24.37	23.98	31.89	32.40	33.46

THLZ	r (")	s (")	s1 (")	t (")	u (")	v (")	z (")	x (")	Y (")	Φw(mm)	z1 (")	Lbs	Z1 x t (In.)
180	7.09	2.87	10.20	6.46	0.28	1.18	0.20	6.46	8.82	7mm	0.08	13.2	0.08 x 3.54
200	8.82	2.91	11.26	7.24	0.20	1.18	0.20	7.13	9.65	7mm	0.08	15.6	0.08 x 3.54
225	8.82	2.91	12.52	8.03	0.20	1.18	0.20	7.76	10.79	7mm	0.12	18.5	0.12 x 3.54
250	8.82	2.91	13.86	8.94	0.24	1.18	0.20	8.27	11.77	7mm	0.12	22.0	0.12 x 3.54
280	11.02	3.54	15.39	9.92	0.16	1.57	0.20	9.17	12.91	10.5mm	0.12	29.7	0.12 x 3.54
315	11.02	3.54	17.09	11.02	0.20	1.57	0.20	10.16	14.45	10.5mm	0.16	39.6	0.16 x 3.54
355	13.98	3.98	19.02	12.56	0.28	1.57	0.39	10.75	16.14	10.5mm	0.16	52.8	0.16 x 3.54
400	13.98	3.98	21.14	14.09	0.28	1.57	0.39	11.85	18.15	10.5mm	0.20	63.8	0.20 x 3.54
450	17.72	4.76	23.58	16.02	0.43	1.97	0.39	13.27	20.43	12mm	0.24	82.5	0.24 x 3.54