

Oil-Free
Diaphragm Pump



Capex V2

Max Flow	32 l/min
Max Vacuum	80 mbar abs
Max Pressure	3.0 bar

Contamination free pumping

The Capex V2 vacuum pump/compressor provides a clean oil free vacuum and pressure source. Suitable for continuous duty the Capex V2 is ideal for use in portable medical and sampling applications where battery operation is required.

Adaptability and long life

Available in either 12v or 24v variants the Capex V2 combines robust construction and long term reliability. Capex V2 pumps are ideal for low maintenance applications and can also be supplied with a brushless DC motor which has a service life of up to 20,000 hours, outperforming the life of a standard motor by up to three times.

Compact OEM Installation

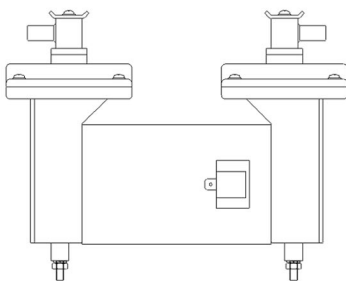
Lightweight components, slimline design and the ability to easily rotate the pump heads have been incorporated for minimal weight and space saving in portable equipment. Offering exceptional performance for its size the Capex V2 is equally suited to both vacuum and pressure installations.

Corrosion resistant options

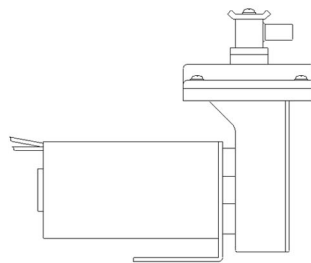
Capex V2 pumps can be upgraded with a range of optional material components providing resistance to a wide range of corrosive gases and vapours.

Application ideas

Application ideas include gas analysis, vehicle mounted pneumatic systems, onboard instrumentation and blood pressure monitors.

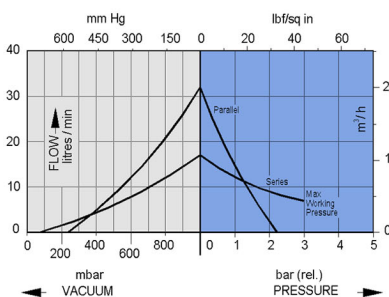


Capex V2 DE double ended pump
OEM model can be connected
in series or parallel

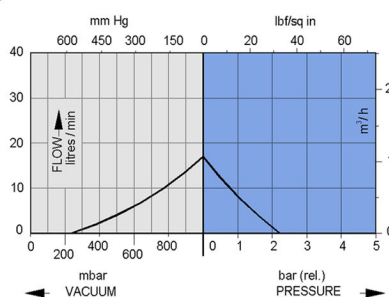


Capex V2 SE single ended pump

Capex V2 DE



Capex V2 SE



Technical Specifications

Capex V2

Motor Type:

Permanent magnet. 2800 RPM.
Maximum permissible ambient 40°C

model no.	12V		24V	
	operating current	max. load	operating current	max. load
Capex V2 / V2C	1.0A	2.0A	0.5A	1.0A
Capex V2 DE	2.5A	4.0A	1.5A	3.0A

Performance:

model no.	max. free flow l/min	max. vacuum mbar (abs)	max. pressure bar
Capex V2 SE	17.0	240	2.2
Capex V2 DE series connected	17.0	80	3.0*
Capex V2 DE parallel connected	32.0	240	2.2

* recommended maximum working pressure

Pump Materials:

With the option of appropriate materials for the head and flexibles, Capex V2 pumps will handle a wide range of corrosive gases.

component	standard	options
Head	Nylon	Polypropylene, stainless steel, PTFE coated aluminium
Diaphragm/Valves	EPDM/Nitrile	PTFE, Viton
Connectors	Nylon	see above
'O' Rings	Nitrile	PTFE, Viton

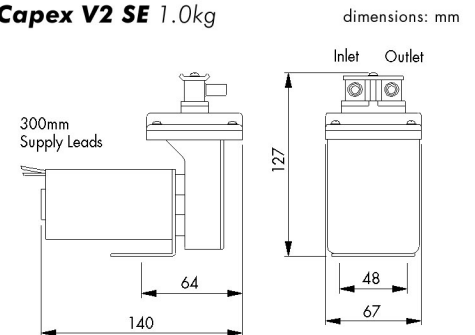
Connectors:

Plain, horizontal, Nylon 8.0mm OD
Optional: horizontal - Nylon 6.4mm OD, Polypropylene 8.0mm OD, Vertical - Nylon 8.0mm OD, Polypropylene 8.0mm OD, Aluminium 6.0 & 8.0mm OD, Stainless Steel 6.0, 6.4 & 8.0mm OD, PTFE 8.0mm OD

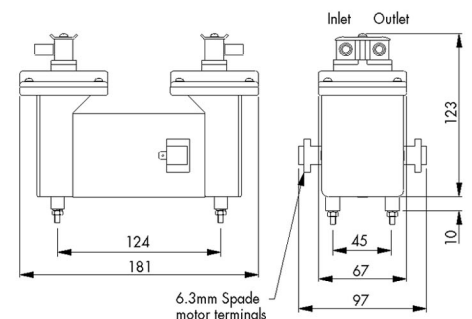
Optional filters/silencers: (included in V2C)

Filter: 100 micron, cleanable
Silencer: minimises noise and smoothes flow pulsation

Capex V2 SE 1.0kg



Capex V2 DE 1.25kg



distributed by:

Please note that it is important that you ensure the motor specification stated and the range of materials offered in the pump are compatible with the performance, environmental limitations and the range and chemical resistance of the application.

For further information or details of our extensive range of diaphragm pumps, contact our technical sales office who will be pleased to help you select the most suitable pump for your application.

S30-204/3