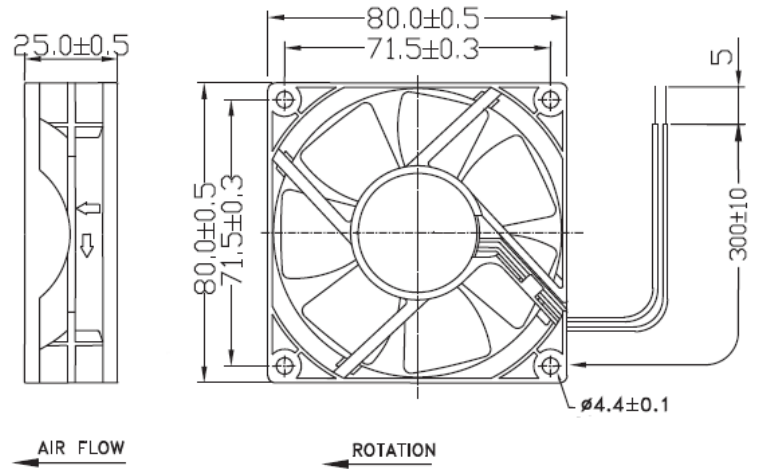




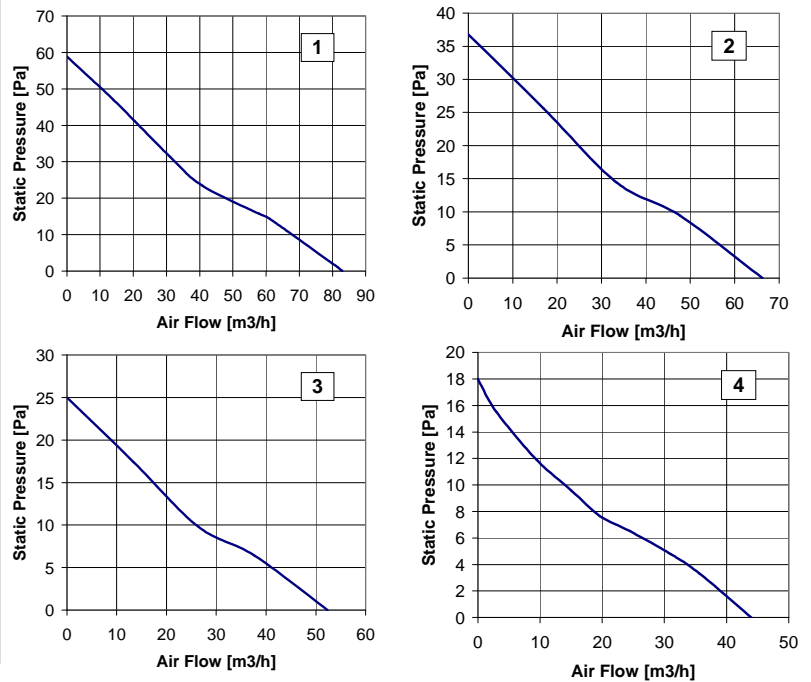
DRAWING



FEATURES

- Glass fibre reinforced plastic (PBT) fan casing and impeller.
- Brushless dc motor. I.C. protected against running overload.
- Electrical connection via 2 leads UL1007 AWG24, 300mm long.
- Rated temperature range:
Ball bearing from -20°C to +70°C
Sleeve bearing from -10°C to +60°C
- Service life L10:
Ball bearing 70,000 hours at 40°C
40,000 hours at t max
Sleeve bearing 50,000 hours at 40°C
35,000 hours at t max
- Weight 84g.

AIR FLOW CURVES



Please refer to our terms of sales including our warranty and limited liabilities clauses.

	Diagram	Bearing #		Rated Voltage [V]	Input Power [W]	Speed [rpm]	Air Flow [m3/h]	Static Pressure [Pa]	Noise [dB(A)]	Approvals		
		S	B							UL	CUL	TUV
D08A04SW#A00	1	✓	✓	12	5.4	3,900	83	59	41.0	✓	✓	
D08A04HW#A00	2	✓	✓	12	3.0	3,100	66	37	34.4	✓	✓	
D08A04MW#A00	3	✓	✓	12	1.8	2,500	52	25	28.3	✓	✓	
D08A04LW#A00	4	✓	✓	12	1.4	2,100	44	18	22.5	✓	✓	
D08A05SW#A00	1	✓	✓	24	6.2	3,900	83	59	41.0	✓		
D08A05HW#A00	2	✓	✓	24	3.8	3,100	66	37	34.4	✓		
D08A05MW#A00	3	✓	✓	24	2.4	2,500	52	25	28.3	✓		
D08A05LW#A00	4	✓	✓	24	2.2	2,100	44	18	22.5	✓		

"#" : S= Sleeve, B= Ball



Fandis S.p.A.
Via per Castelletto 65/69, 28040 Borgo Ticino (NO) - Italy
Tel. +39 0321 96 32.32 - Fax +39 0321 96 32 96
info@fandis.it - www.fandis.it

All specifications, data and drawings are subject to change without notice and are approximate.

CSV-H40/4