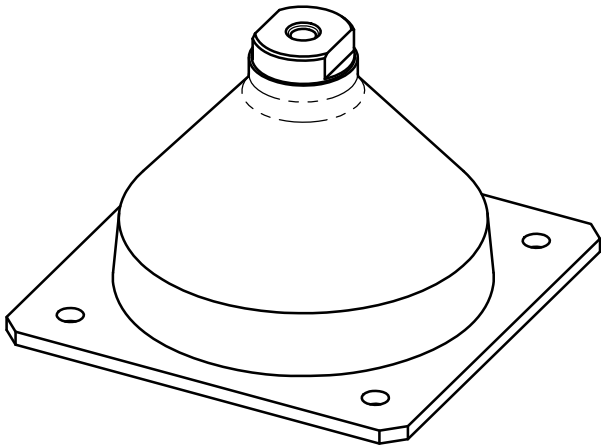


# E1N3341 Elastomer damper



## Description

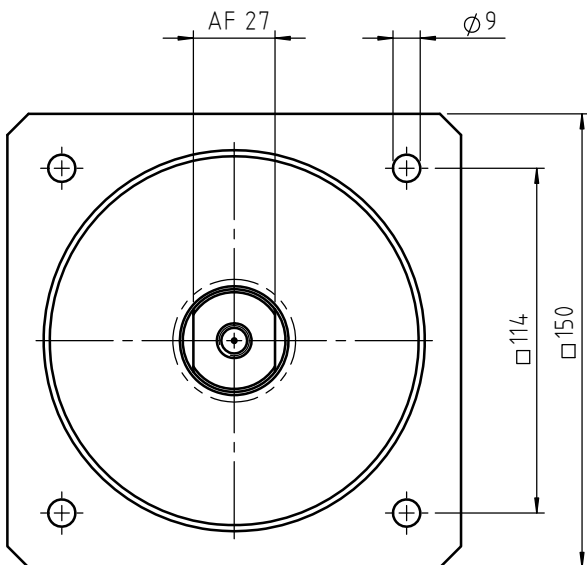
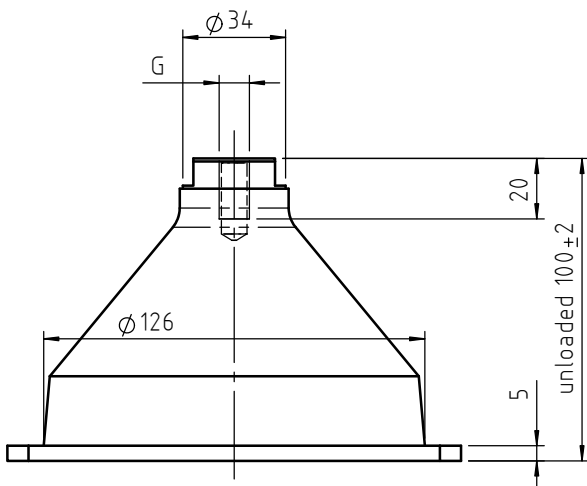
- elastomer bonded to a non-magnetic stainless steel base and center stud
- protection: against ozone
- isolator weight: approx. 1,3 kg

## Vibration and mechanical characteristics

- maximum sinusoidal input amplitude at resonance frequency  $\pm 5$  mm
- resonance frequencies for this input level at ambient temperature:
  - axial 5 to 15 Hz
  - radial 4 to 12 Hz
 depending on static load
- amplification:  $Q = 4 - 6$
- maximum displacement under shock:
  - axial 45 mm
  - radial 45 mm
- structural strength corresponding to a continuous acceleration of 5g at maximum static load
- operating temperature:  $-20^{\circ}\text{C}$  to  $+70^{\circ}\text{C}$

## Applications

- isolation of marine propulsion and auxiliary engines
- isolation of marine and land generator sets
- protection of electrical and electronic equipment aboard ships, vehicles etc.



Type	Load range [daN]	G
E1N3341-01	15 - 60	M10
E1N3341-02	25 - 100	M10
E1N3341-03	40 - 150	M10