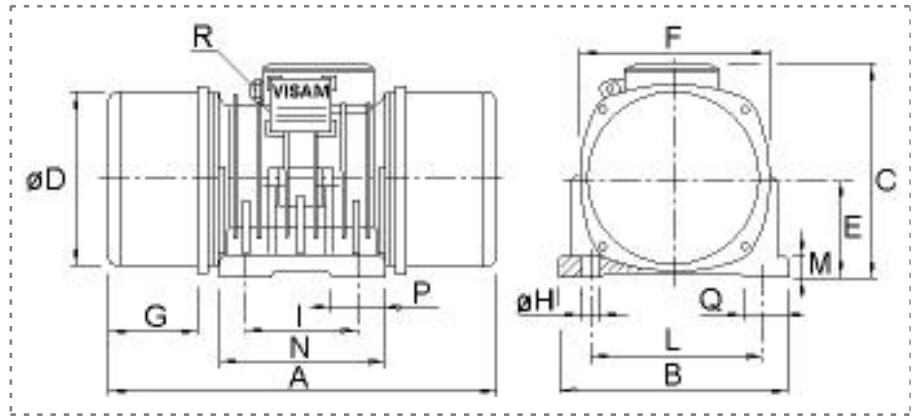
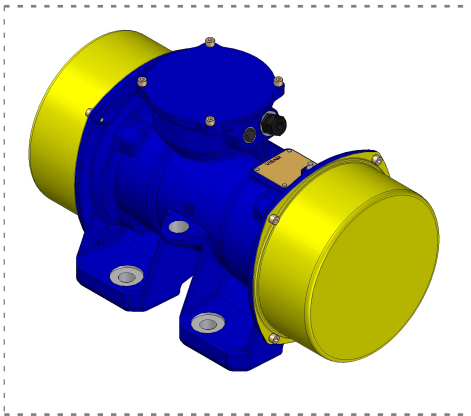


VIBRATOR TECHNICAL DATA SHEET

General Data

Motor Poles (nr): **4**
 Motor Phases (nr): **3**
 Vibration Frequency (rpm): **1.500**
 Feeding Voltage (V): **220-240/380-415**
 Feeding Frequency (Hz): **50**
 Ambient Temperature Range (°C): **-20/+40**
 Service Factor Code (IEC): **S1**
 Insulation Class Code (IEC): **F**
 Temperature Class Code (IEC): **T4**
 IP Mechanical Protection Code (IEC): **66**
 IK Mechanical Protection Code (IEC): **10**

Electrical Data

Max Input Power (Vnom) (kW): **2,40**
 Max Input Curr. (Vnom/delta/star) (A): **8,7/5,0**
 Start/Nom. Current Ratio (Vnom): **5,5**
 Feeding Capacitor Size (µF): -

Mechanical Data

Static Moment 100% (kgmm): **1.580**
 Working Moment 100% (kgcm): **316**
 Centrifugal Force 100% (kgf): **4.000**

Overall and Fixing Data

 Dimensional Referring Sketch: **B4**

A (mm): **568**
 B (mm): **330**
 C (mm): **331**
 D (mm): **270**
 E (mm): **150**
 F (mm): **285**
 G (mm): **104**
 H (mm): **25**
 I (mm): **165**
 L (mm): **270**
 M (mm): **35**
 N (mm): **360**
 O (mm): -
 P (mm): **150**
 Q (mm): **90**
 R (mm): **M25x1,5 + M16X1,5(TH)**
 S (mm): -
 Bolts Nr: **4**
 Mounting Bolt Type (UNI): **M24**
 Mounting Bolt Class (UNI): **8.8**
 Mounting Tight. Torque (Nm): **700**

Physical Data

Mass (kg): **118,0**
 Color (RAL): **5010/1003**