

Brass ball valves

Special valves for water

Ball valves for gas

Fittings

Butterfly valves

Industrial ball valves

Valves with pneumatic actuator

Valves with electric actuator

Accessories - Spare parts

Log in

Register

Search...

Search...

## serie VEGA with pneumatic actuator



Atex II 2 GD\*

\* Available on request

### ACTUATOR FEATURES:

- **ROTATION ANGLE:** 90°.
- **TEMPERATURE LIMITS:** -20°C / +90°C.
- **MAXIMUM SUPPLY PRESSURE:** 10 bar (8 bar for DNA045).
- **NOMINAL PRESSURE:** 5.62 bar.
- **SUPPLY FLUID:** filtered compressed air.
- **LUBRICATION:** NBR compatible oil to be used.

For further information on the actuator technical features refer to the specific data sheet for actuator at the end of this catalogue (page 348/349).

### STANDARD VALVE FEATURES:

- **TEMPERATURE LIMITS:** -20°C / + 150°C (PTFE).
- **MAXIMUM WORKING PRESSURE:** 1/4" - 1" PN140  
1 1/4" - 2" PN100  
2 1/2" - 3" PN64.
- **THREADED CONNECTIONS:** F/F Rp UNI ISO 7/1 (UNI EN 10226)  
DIN2999 parallel.
- **MOUNTING PLATE:** ISO 5211.

For general applications and special executions, see the manual valve.

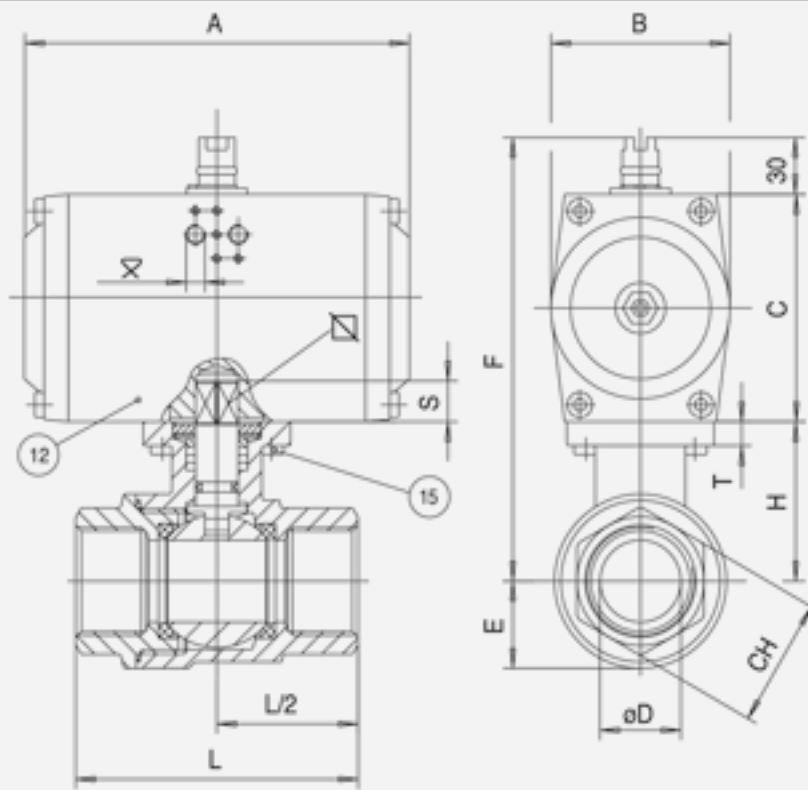
**DOUBLE ACTING**

SIZE	WEIGHT g.	A	B	C	D	E	F	H	L	CH	S	T	∅	ISO 5211	ACTUATOR	KIT
1/4"	1038	116	70	68	11	19.5	138	40	65	27	7	9	9	F03-F04	DNAD45AX00	KANX0X02
3/8"	1028	116	70	68	13	19.5	138	40	65	27	7	9	9	F03-F04	DNAD45AX00	KANX0X02
1/2"	976	116	70	68	16	19.5	138	40	75	27	7	9	9	F03-F04	DNAD45AX00	KANX0X02
3/4"	1090	116	70	68	20	22	142	44	80	33	9	9	9	F03-F04	DNAD45AX00	KANX0X02
1"	1510	116	70	68	25	27	150	52	90	41	12	10	11	F04-F05	DNAD45AZ00	KANX0X07
1" 1/4	2365	133	78	74	32	33	162	58	110	50	12	10	11	F04-F05	DGA052AX00	KANX0X07
1" 1/2	3781	137	89	88	40	39	186	68	120	58	16	13	14	F05-F07	DGA063AX00	KANX0X08
2"	5926	161	102	100	50	48	207	77	140	70	16	13	14	F05-F07	DGA075AX00	KANX0X09
2" 1/2	11050	209	120	117	65	60	245	98	185	87	19	13	17	F07-F10	DGA092AX00	KANX0X10
3"	16270	222	120	140	80	70	280	110	205	104	19	13	17	F07-F10	DNA110AX00	KANX0X11

**SINGLE ACTING**

SIZE	WEIGHT g.	A	B	C	D	E	F	H	L	CH	S	T	∅	ISO 5211	ACTUATOR	KIT
1/4"	1503	133	78	74	11	19.5	144	40	65	27	7	9	9	F03-F04	SGA0524X00	KANXBX02
3/8"	1493	133	78	74	13	19.5	144	40	65	27	7	9	9	F03-F04	SGA0524X00	KANXBX02
1/2"	1441	133	78	74	16	19.5	144	40	75	27	7	9	9	F03-F04	SGA0524X00	KANXBX02
3/4"	1545	133	78	74	20	22	148	44	80	33	9	9	9	F03-F04	SGA0524X00	KANXBX02
1"	2519	137	89	88	25	27	170	52	90	41	12	10	11	F04-F05	SGA0634X00	KANXBX06
1" 1/4	3778	161	102	100	32	33	188	58	110	50	12	10	11	F04-F05	SGA0754X00	KANXBX07
1" 1/2	5283	180	108	108	40	39	206	68	120	58	16	13	14	F05-F07	SGA0834X00	KANXBX08
2"	7700	209	120	117	50	48	224	77	140	70	16	13	14	F05-F07	SGA0924X00	KANXBX09
2" 1/2	15441	294	120	140	65	60	268	98	185	87	19	13	17	F07-F10	SNA1184X00	KANXBX10
3"	21167	300	137	160	80	70	300	110	205	104	19	13	17	F07-F10	SNA1274X00	KANXBX11

**SECTION**



∅ 063+092=1/8"G  
110+190=1/4"G

**LIST OF VALVE COMPONENTS AND MATERIALS**

QTY	DESCRIPTION	UNIT	MATERIAL
15	ACTUATOR SCREWS	4	8.8 ZINC.
12	ACTUATOR	1	AL. ANODIZED

**DOUBLE ACTING**

art. D46AA	F/F 1/4" - 3"

**SINGLE ACTING**

art. S46AA	F/F 1/4" - 3"



Via Giuseppe Verdi, 68 - 25073 Bovezzo (Bs) - Tel. +39 030 21101 - Fax +39 030 2110301 (Italia) - P. Iva 03370780177 - Email: [effebi@effebi.it](mailto:effebi@effebi.it)