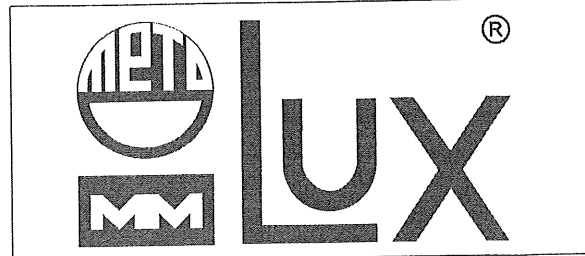


Short information

General technical data

Description and mounting for series HLM/HLMR on sight-glasses similar to DIN 11851



Application: On screwed sightglasses similar to DIN 11851 of DN 65 – 125, for “view and light through one assembly”. Preferably used in pharmaceutical, cosmetic and food processing industries (dairy industries, breweries, etc).

Operating conditions: metaLUX® sightglass light fittings of the series HLM / HLMR are mounted independently of pressure or vacuum of the apparatus to be fitted on. There are no restrictions for the mounting position. With built-in push-button for momentary illumination or built-in “ON-OFF” switch (“E”), the temperature in the connection box should not exceed 70 °C.

Electrical data:

Supply:	AC or DC
Terminal voltage:	24 V (12 V possible for several types, see page 4)
Maximum current:	4,2 A
Rating:	20 / 50 / 100 W, depending on the type (see page 4)
Bulbs:	Halogen, for sockets G4 or GY 6.35

Enclosure protection degree: When correctly mounted IP 65, dust and spray water tight, to EN 60529 / DIN VDE 0470 part 1.

Construction and description: Housing (1) and cover (2) of corrosion resistant cast aluminium alloy, painted RAL 9001 (series HLM) or stainless steel 1.4301 (= AISI 304), polished (series HLMR). Cable gland Pg 9 (3). Connection to terminals 2.5 mm². Built-in reflector and push-button (4) for momentary illumination (on request also available without for continuous operation or with “ON-OFF” switch “E”). Gaskets resistant against corrosion and alteration.

- Series HLMR made entirely of stainless steel AISI 304
- Types HLM 65 H (DN 65) up to HLM 125 H (DN 125) and HLMR 65 H (DN 65) up to HLMR 125 H (DN 125) may be combined with wipers of the series W / WD!

Materials of the screwed sightglass SSA:

Grooved collar nut (6): 1.4307 (= AISI 304 L) or 1.4301 (= AISI 304)

Gasket with Garlock, admitted for use in bridge (5): food processing industries

Glass disc (7): Sodium silicate glass to DIN 8902 (maximum operating temperature 150°C) or borosilicate glass to DIN 7080 (maximum operating temperature 280°C)

Gasket (8): Silicone, EPDM, Viton, PTFE, Perbunan

Welding 1.4404 (= AISI 316 L) or nozzle (9): 1.4307 (= AISI 304 L). Other materials on request. Certificates to DIN EN 10204 may be supplied against extra charge.

Mounting:

The exploded picture right shows the mounting of a metaLUX® light fitting on a screwed sightglass.

The light fitting (1) and the gasket (5) form a unit, the gasket being glued to the housing by the manufacturer. After welding of the nozzle (9) to the wall of the apparatus, the gasket (8), the glass disc (7) and the light fitting (1) are positioned as shown and fixed by screwing the grooved collar nut (6) onto the welding nozzle (9).

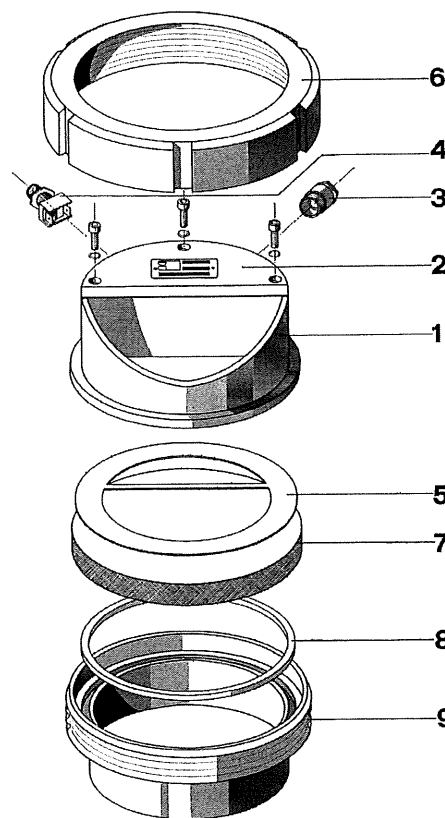
Change of bulbs:

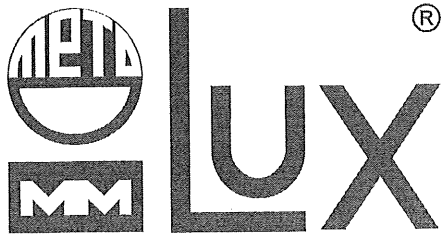
By lifting the cover (2) and demounting the bulb socket under full operation of the vessel. Therefore **no** interruption of the process.

Transformers:

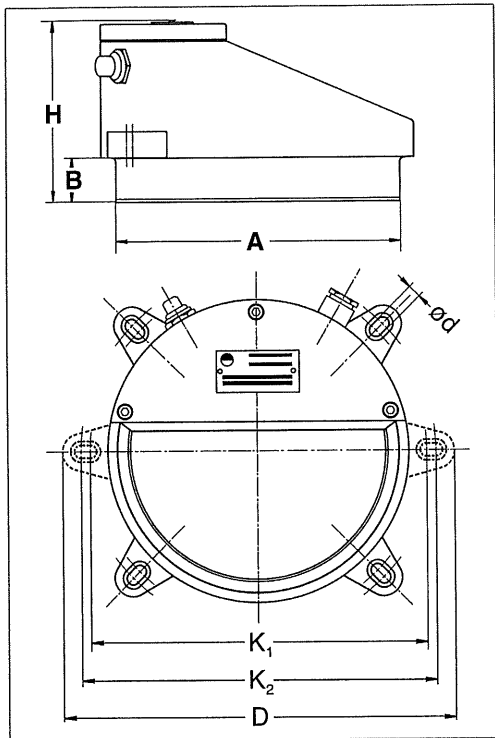
May be supplied on request in different versions.

Typical assembly (standard delivery) of a screwed illuminated light-sightglass of the series HLM(R)-SSA. (The light fitting may also be delivered as separate unit).

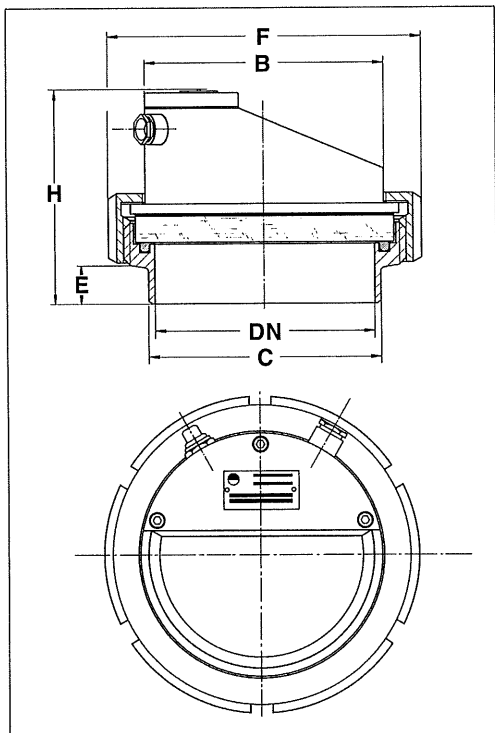




Dimensions Electrical data Series HL HLM HLMR



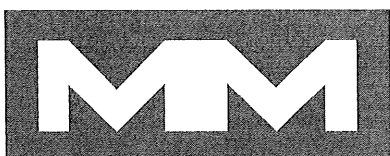
Type		HL 50 H	HL 80 H	HL 100 H	HL 125 H	HL 150 H	HL 200 H
Adapted to sightglass to DIN 28210	DN	50	80	100	125	150	200
Supply voltage	V	24 (12)	24 (12)	24 (12)	24 (12)	24 (12)	24 (12)
Rating *only with 24 V	W	20	20 (50)	50 (100)*	50 (100)*	100* (50)	100* (50)
Pitch circle ϕ	K ₁	106	128	157	182	210	270
	K ₂	116	138	167	192	220	280
Dimensions	D	134	158	187	212	245	306
	A	79	99	124	148	173	224
	B	16	18	20	23	28	33
	H	67	74	85	93	107	107
Fixation holes	d	2 x 7	2 x 7	4 x 7	4 x 7	4 x 9	4 x 9
Screws		M6 x 16	M6 x 16	M6 x 16	M6 x 20	M8 x 20	M8 x 20
Weight ca.	kg	0.40	0.50	0.80	1.10	1.60	2.00



Type		HLM 65 H HLMR 65 H	HLM 80 H HLMR 80 H	HLM 100 H HLMR 100 H	HLM 125 H HLMR 125 H
Adapted to sightglass similar to DIN 11851	DN	65 (SSA 65)	80 (SSA 80)	100 (SSA 100)	125 (SSA 125)
Supply voltage	V	24 (12)	24 (12)	24 (12)	24 (12)
Rating *only with 24 V	W	20	20	20 (50)	50 (100)*
Dimensions	F	112	127	148	178
	C	72	87	106	132
	B	79	92	113	136
	H	107 99	107 111	119 129	124 120
	E	24	25	34	22

Do you wish for more information about our wide range of light fittings for use in hazardous and safe areas, camera systems for hazardous areas, about our range of circular sightglasses to DIN 28120/28121, screwed sightglasses similar to DIN 11851, rectangular or D-ended sightglasses, pipeline flow indicators, centrally or sideways operated wipers, hinged sightglasses, spraying devices or our complete sight and lightglass units VETROLUX®? Are you interested in other types, special versions or different protection degrees? If yes, please contact us, our branch office or our local agents – it is our business! You will find the necessary indications about our sales network on the Internet.

All dimensions in mm. Subject to changes without preliminary notice.



MAX MÜLLER AG
PROCESS ILLUMINATION AND VISUAL OBSERVATION SYSTEMS
 Hagmattstrasse 19 • CH - 4123 Allschwil / Switzerland
 Telephone +41 61 487 92 92 • Telefax +41 61 487 92 99
 www.maxmuellerag.com E-Mail: blt@maxmuellerag.com

3/3 07.11