



MAX 8 bar



S235JR(St37.2)

- 43904001
- 43904101
- 43904&0%

- 43904002
- 43904102
- 43904202

43903010

43909001

43909008

System 50

- 43610001
- 43610011 A4
- Alt1

System 200

- 43615001
- 43615011 A4
- Alt2

- 43621001
- 43621200 A4

- 43937006
  - 43937007
- 

43905020

43905021

43937010

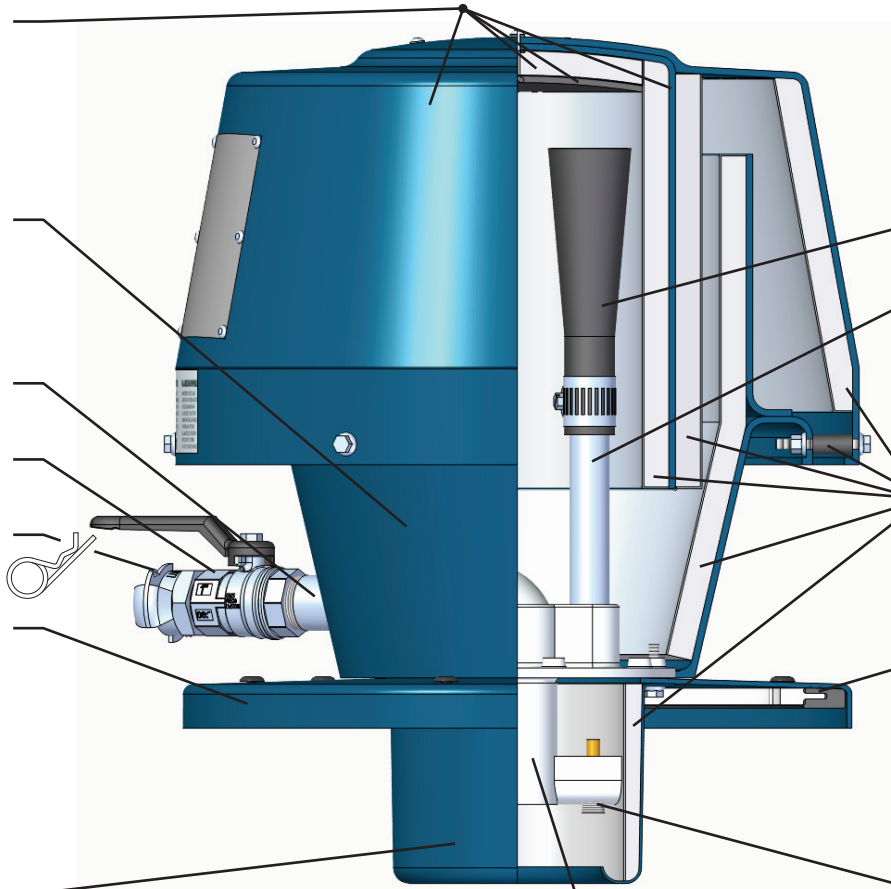
System 50

- 43901052
- 43901050

System 200

- 43901053
- 43901051

43908003

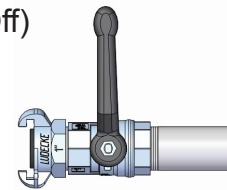


	Vacuum producer	Compressed air consumption Nm <sup>3</sup> /min	Max. vacuum		Max. air flow Nm <sup>3</sup> /hr	Noise level* dB(A)	Ejector body
			mmWC	-kPa			
<input type="checkbox"/>	NE22	1,0	2100	21	306	72,0	43905001
<input type="checkbox"/>	NE32	1,6	3100	31	342	74,0	43905002
<input type="checkbox"/>	NE42	2,2	4200	42	360	73,5	43905003
<input type="checkbox"/>	NE52	3,0	5200	52	342	75,5	43905004
<input type="checkbox"/>	NE56	2,7	2500	25	564	73,5	43905005
<input type="checkbox"/>	NE64	4,3	6800	68	330	77,0	43905006
<input type="checkbox"/>	NE66	4,1	3800	38	630	76,5	43905007
<input type="checkbox"/>	NE74	5,3	7800	78	318	75,0	43905008
<input type="checkbox"/>	NE76	5,4	4800	48	690	78,0	43905009
<input type="checkbox"/>	NE96	8,6	6800	68	660	78,0	43905011
<input type="checkbox"/>	NE56x2	5,4	2500	25	1128	76,5	43905005
<input type="checkbox"/>	NE96x2	17,2	6800	68	1320	79,0	43905011
<input type="checkbox"/>							
<input type="checkbox"/>							

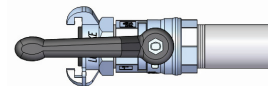
\*Noise level - distance: 3 m - height: 1,1 m

(Air pressure 7 bar)

0 (Off)

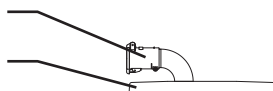


1 (On)



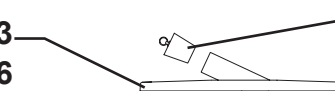
43885001

- 43612001



- 43616100 d63

- 43616200 d76

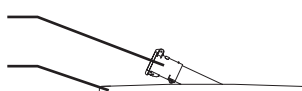


- 43901021 d63

- 43901022 d76

43885001

- 43616001



- 43615020



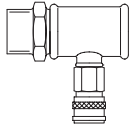


MAX 8 bar

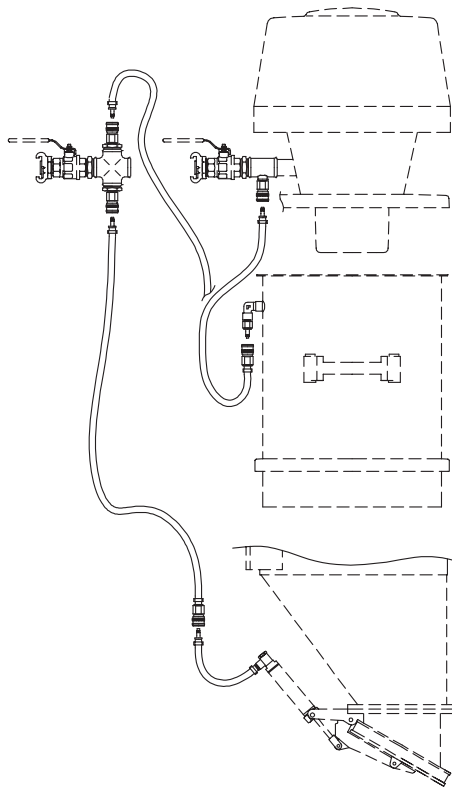
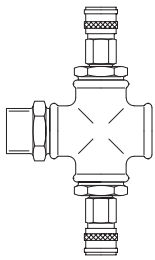


S235JR(St37.2)

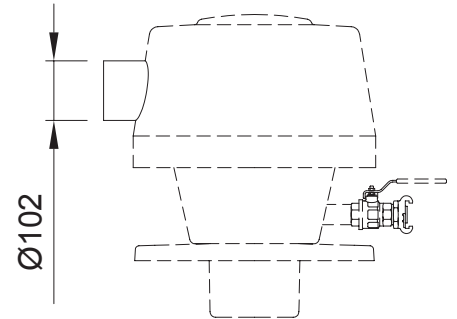
□ 43214001



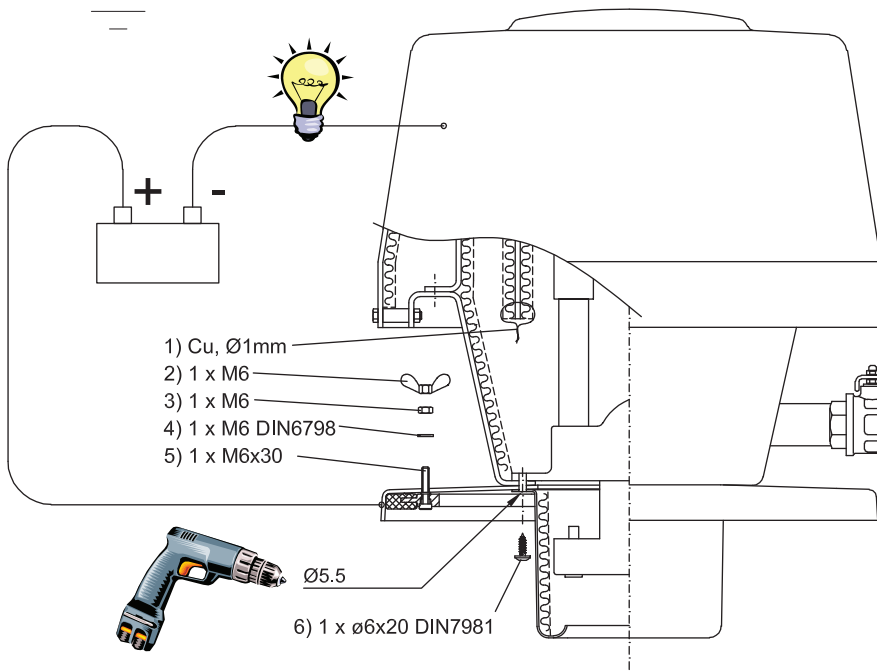
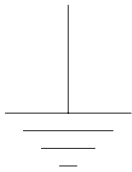
□ 43214100



□



□



□ Ex

