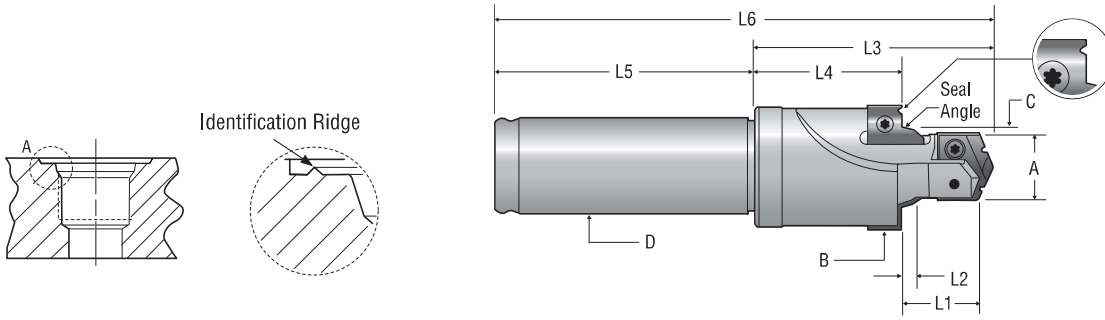




AccuPort 432[®]



Port Standards: ISO 6149-1:2006, SAE J-2244/1

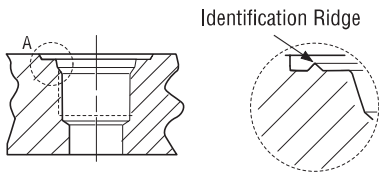
Tube Dash No.	Port Thread Size	Port Contour Cutter Number	Stk.	A		B	Seal Angle	C		L2	L3	L4	D	L5	L6
				Minor Dia. mm	Minor Dia Length mm			Seal Angle Dia. mm	Seal Angle Length mm						
- 4	M12 x 1.5	I6149-04RY-16FM	●	10.5	14.1	24.0	15°	13.8	2.6	38.8	22.2	16.0	41.9	80.7	
- 5	M14 x 1.5	I6149-05RZ-16FM	●	12.5	14.1	26.0	15°	15.8	2.6	38.8	21.8	16.0	41.9	80.7	
- 6	M16 x 1.5	I6149-06R0-20FM	●	14.5	15.6	28.0	15°	17.8	2.6	47.2	28.3	20.0	41.9	89.1	
- 8	M18 x 1.5	I6149-08R0-20FM	●	16.5	17.1	30.0	15°	19.8	2.6	50.3	29.6	20.0	41.9	92.3	
- 10	M22 x 1.5	I6149-10R1-25FM	●	20.5	18.2	34.0	15°	23.8	2.6	54.4	31.6	25.0	53.1	107.4	
- 12	M27 x 2.0	I6149-12R2-32FM	●	25.0	22.2	40.0	15°	29.4	3.3	67.1	39.4	32.0	57.9	125.0	
- 14	M30 x 2.0	I6149-14R2-32FM	●	28.0	22.2	43.0	15°	32.4	3.3	67.1	38.8	32.0	57.9	125.0	
- 16	M33 x 2.0	I6149-16R2-32FM	●	31.0	22.2	49.0	15°	35.4	3.3	67.1	38.1	32.0	57.9	125.0	
- 20	M42 x 2.0	I6149-20R3-40FM	●	40.0	22.7	60.0	15°	44.4	3.3	77.8	46.4	40.0	70.1	147.9	
- 24	M48 x 2.0	I6149-24R3-40FM	●	46.0	25.2	66.1	15°	50.4	3.3	77.8	42.6	40.0	70.1	147.9	
- 32	M60 x 2.0	I6149-32R4-40FM	●	58.0	27.7	76.0	15°	62.4	3.3	96.8	56.6	40.0	70.1	166.9	

Stk. - Stock Availability.

- Stock Item.
- Stocked in limited quantities, advanced planning is recommended.
- ◆ Non-stock standard. Normal delivery 15 to 20 days.

Any non-standard size available.

T-A & GENZ T-A
GENSSYS
APX
Revolution & Core Drill
ASC 320 Solid Carbide
AccuPort 432
Criterion
Thread Milling
Special Tooling



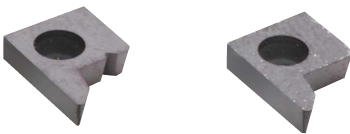
Port Standards: ISO 6149-1:2006, SAE J-2244/1

Tube Dash No.	Port Thread Size	Port Contour Cutter Number
- 4	M12 x 1.5	I6149-04RY-16FM
- 5	M14 x 1.5	I6149-05RZ-16FM
- 6	M16 x 1.5	I6149-06R0-20FM
- 8	M18 x 1.5	I6149-08R0-20FM
- 10	M22 x 1.5	I6149-10R1-25FM
- 12	M27 x 2.0	I6149-12R2-32FM
- 14	M30 x 2.0	I6149-14R2-32FM
- 16	M33 x 2.0	I6149-16R2-32FM
- 20	M42 x 2.0	I6149-20R3-40FM
- 24	M48 x 2.0	I6149-24R3-40FM
- 32	M60 x 2.0	I6149-32R4-40FM

T-A [®] Drill Item Numbers			
Super Cobalt GEN2 T-A (AM200 [®])	Carbide GEN2 T-A (AM200 [®])	Torx Plus [®] Screw	Torx Plus [®] Driver
45YH-10.5	4C1YH-10.5	724-IP7	8IP-7
45ZH-12.5	4C1ZH-12.5	7247-IP7	8IP-7
450H-14.5	4C10H-14.5	72567-IP8	8IP-8
450H-16.5	4C10H-16.5	72567-IP8	8IP-8
451H-20.5	4C11H-20.5	7375-IP9	8IP-9
452H-25	4C12H-25	7495-IP15	8IP-15
452H-28	4C12H-28	7495-IP15	8IP-15
452H-31	4C12H-31	7495-IP15	8IP-15
453H-40	1C53A-40	7514-IP20	8IP-20
453H-46	1C53A-46	7514-IP20	8IP-20
454H-58	N/A	7514-IP20	8IP-20

P	M	K	N	S	H
Steel N/mm ²	Stainless Steel N/mm ²	Cast and Ductile Iron N/mm ²	Non-ferrous Material N/mm ²	High Temperature Materials N/mm ²	Hardened Materials N/mm ²
<1365	<940	<1020	<855	<990	<1365

For further information on Material, Hardnesses and Cutting Data, please refer to the Technical Section from page 218.



Port Form Insert Item Numbers						
Tube Dash No.	P40 Carbide (TiAlN) With Identification Ridge	K10 Carbide (AM200 [®]) With Identification Ridge	P40 Carbide (TiAlN) Without Identification Ridge	K10 Carbide (AM200 [®]) Without Identification Ridge	Torx Plus [®] Screw	Torx Plus [®] Driver
- 4	I6149-04R-C5A	I6149-04R-C3H	I6149-04-C5A	I6149-04-C3H	72556-IP8	8IP-8
- 5	I6149-04R-C5A	I6149-04R-C3H	I6149-04-C5A	I6149-04-C3H	72556-IP8	8IP-8
- 6	I6149-06R-C5A	I6149-06R-C3H	I6149-06-C5A	I6149-06-C3H	72556-IP8	8IP-8
- 8	I6149-06R-C5A	I6149-06R-C3H	I6149-06-C5A	I6149-06-C3H	72556-IP8	8IP-8
- 10	I6149-04R-C5A	I6149-04R-C3H	I6149-04-C5A	I6149-04-C3H	72556-IP8	8IP-8
- 12	I6149-12R-C5A	I6149-12R-C3H	I6149-12-C5A	I6149-12-C3H	72556-IP8	8IP-8
- 14	I6149-14R-C5A	I6149-14R-C3H	I6149-14-C5A	I6149-14-C3H	72556-IP8	8IP-8
- 16	I6149-16R-C5A	I6149-16R-C3H	I6149-16-C5A	I6149-16-C3H	7375-IP9	8IP-9
- 20	I6149-20R-C5A	I6149-20R-C3H	I6149-20-C5A	I6149-20-C3H	7375-IP9	8IP-9
- 24	I6149-24R-C5A	I6149-24R-C3H	I6149-24-C5A	I6149-24-C3H	7375-IP9	8IP-9
- 32	I6149-32R-C5A	I6149-32R-C3H	I6149-32-C5A	I6149-32-C3H	7375-IP9	8IP-9