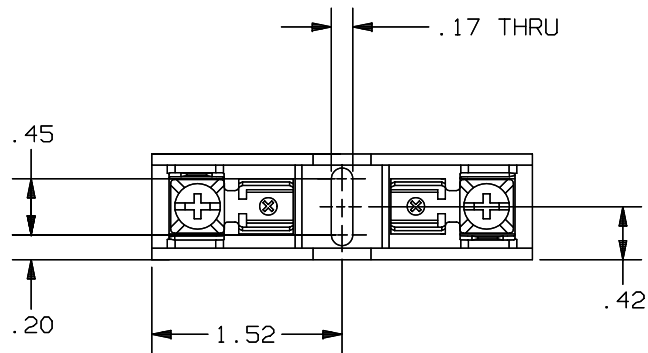
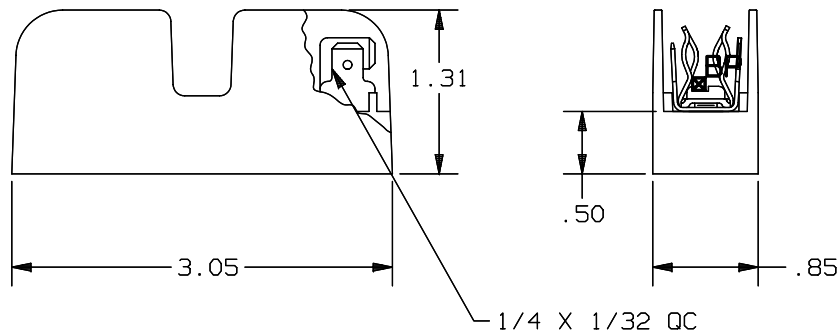


00 1/92 004 RELEASED
 01 8/17/94 1519 UPDATED DIMS
 02 3/3/95 1637 ADDED NOTE 4
 03 2/12/96 1834 Δ 3.04 TO 3.05

BM
 KS GO
 DT
 CP



P/N	CONN TYPE	RMS SYM RATING [4]	TORQUE (IN-LBS)	°C WIRE	UL		CSA
					FILE NO.	GUIDE NO.	REPORT NO.
30311	SCREW	200K	20	75	E52283	IZLT2	LR32169
30321	PP	200K	20	75			



- [4] RMS SYM RATING 200K WHEN QC NOT EMPLOYED
 RMS SYM RATING 10K WHEN QC EMPLOYED
3. 600V-30A MIDGET 1 POLE W/2 QC
 2. SHOWN W/ PRESSURE PLATE CONNECTOR.
 1. MATL COMPOSITION AND RATING:
 THERMOPLASTIC-125°C RTI.

NOTES: UNLESS OTHERWISE SPECIFIED

P/N 30311
 P/N 30321

CSW 1/92 92-004
 GHO 1/92
 FUSE BLOCK

05B0373 03