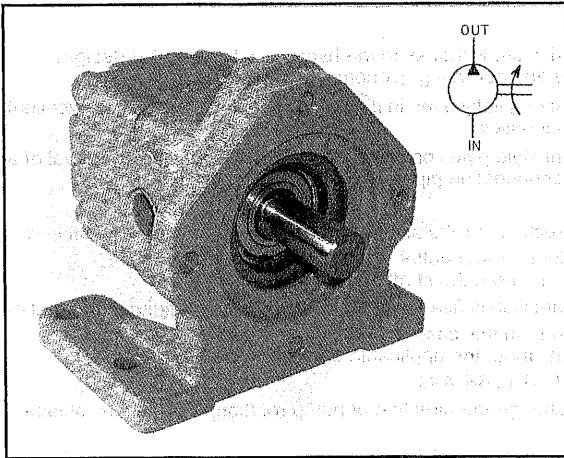


FIXED-DISPLACEMENT VANE PUMP (HVP-FA1 SERIES)



FEATURES

1. The pump is designed to be compact and lightweight.
2. The bearing load is small thanks to the hydraulically balanced design, allowing long life and operating economy.
3. The pump operates quietly even in high-speed applications due to excellent cavitation characteristics.
4. The pump contains only a few component parts, made for easy maintenance.
5. Inlet and outlet ports can be located as desired at 90-deg. intervals without restriction on their relative positions.

- The standard direction of rotation is clockwise, viewed from the shaft end.
- The standard inlet port position is at the left, viewed from the shaft end.
- The standard outlet port position is at the right, viewed from the shaft end.
- The foot-mount style allows the positioning of the inlet port at the 180-deg. position and the outlet port at the 90-deg. position in addition to the standard positions.
- The permissible operating ambient temperature range is from 0 to 60°C.
- The pump can be used for R&O type and abrasion-resistant type hydraulic fluid applications.
- The permissible fluid temperature is as below:
Equivalent to ISO VG32: 0 to 60°C (350 to 15 mm²/sec)
Equivalent to ISO VG46: 6 to 65°C (350 to 18 mm²/sec)
- The pump cannot be used for water-glycol fluid.

SPECIFICATIONS

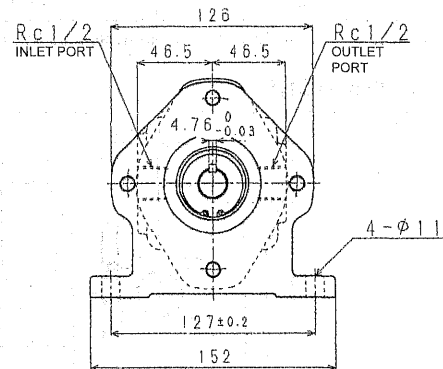
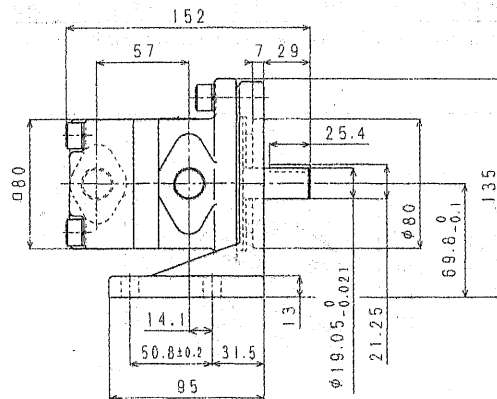
1,800 min⁻¹ 20 mm²/s

Model	Displacement (cm ³ /rev)	Pressure (MPa)		Flow (L/min)					Input (kW)					Speed (min ⁻¹)		
		Rating	Max.	0.5 MPa	2 MPa	3.5 MPa	5 MPa	7 MPa	0.5 MPa	2 MPa	3.5 MPa	5 MPa	7 MPa	Rating	Max.	Min.
HVP-FA1-*2R-A	2.3	7	7	4.1	3.9	3.6	3.4	3.0	0.18	0.37	0.56	0.75	1.0	1,800	1,800	900
HVP-FA1-*5R-A	4.3			7.7	7.3	7.0	6.6	6.2	0.21	0.52	0.76	0.99	1.3			
HVP-FA1-*8R-A	7.3			12.9	12.5	12.1	11.7	11.2	0.24	0.65	1.07	1.49	2.04			
HVP-FA1-*11R-A	10.9			19.1	18.5	17.9	17.3	16.6	0.32	0.91	1.5	2.09	2.87			

NOTE: The symbol "*" in the Model column indicates the mounting method - L for foot-mount and F for flange-mount.

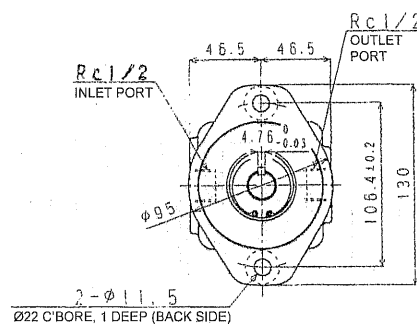
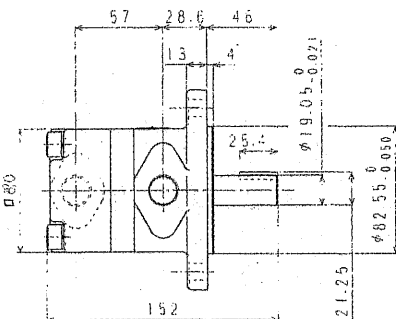
EXTERNAL DIMENSIONS

• HVP-FA1-L*R-A



MASS: 6.3 kg

• HVP-FA1-F*R-A



MASS: 4.7 kg