



HOSE CONNECTIONS

Tri-Clamp Hose Barb	96
Tri-Clamp Hose Barb	97
CONNLOCK - MR-DN Hose Connection	98
CONNLOCK - MR-DN Hose Connection	99
CONNLOCK - MR-DN Hose Connection	100
CONNLOCK - MR-DN Hose Connection	101
CONNLOCK - MR-DN Hose Connection	102
CONNLOCK - MR-DN Hose Connection	103
CONNLOCK - MR-DN Hose connection	104
CONNLOCK - MR-DN Hose connection	105
MR-DN with aseptic Female Unions acc. DIN 11864-1 and Grooved Nut DIN 11864	106
MR-DN with aseptic Groove Flange acc. DIN 11864-2, Orbitally welded	107
MR-DN with aseptic Grooved Clamp acc. DIN 11864-3	108
MR-DN with aseptic Collar Clamp acc. DIN 11864-3	109



Tri-Clamp Hose Barb

Product group:	Hose Connections
Description:	Tri-Clamp Hose Barb
Valid standards:	TC acc. DIN 32676 / *non standard
Material:	Stnr.-W. 1.4435 BN2 (Fe < 0.5%) acc. EN 10088
Permissible sterilization temperature:	150°C
Version / Surface quality:	Surface, internal: bright finish. Ra < 0.4 µm (ID ≤ 9.5 mm = Ra, internal < 0.6 µm, ID ≤ 6.0 mm = Ra, internal < 0.8 µm) Surface external bright finish
Pipe-Hygiene Classes:	H 3 / H 4 acc. DIN 11866
Marking:	Material number, melt number, manufacturer code
Certificates:	Certificate acc. EN 10204-3.1
Option:	Electropolishing and further dimensions available on request
Remarks:	Technical contents are subject to change **ID countersunk to connection size.

Dimensions for Tri-Clamp Hose Barb						
Type	A	AD	ID	L	Item No.	
acc. DIN 32676						
SA 25 D 6.0	25.0	6.0	3.6	42.0	261.004.025	
SA 25 D 8.0	25.0	7.9	5.5	42.0	261.005.025.8	
SA 25 D 9.4	25.0	9.4	**9.4	42.0	261.009.025	
SA 25 D 10.0	25.0	10.0	7.6	42.0	261.006.025	
SA 25 D 12.7	25.0	12.7	9.5	42.0	261.005.025	
SA 25 D 17.2	25.0	17.2	14.0	42.0	261.008.025	
SA 25 D 19.0	25.0	19.0	15.8	42.0	261.007.025	
SA 34 D 6.0	34.0	6.0	3.6	42.0	261.004.034	
SA 34 D 8.0	34.0	8.0	**6.0	42.0	261.006.034	
SA 34 D 10.0	34.0	10.0	7.6	42.0	261.020.034	
SA 34 D 12.7	34.0	12.7	9.5	42.0	261.005.034	
SA 34 D 14.0	34.0	14.0	10.8	50.0	261.010.034	
SA 34 D 16.0	34.0	16.0	12.0	50.0	261.016.034	
SA 34 D 17.2	34.0	17.2	14.0	42.0	261.030.034	
SA 34 D 19.0	34.0	19.0	**15.8	42.0	261.007.034	

Tri-Clamp Hose Barb

Product group:	Hose Connections
Description:	Tri-Clamp Hose Barb
Valid standards:	TC acc. DIN 32676 / **non standard
Material:	Stnr.-W. 1.4435 BN2 (Fe < 0.5%) acc. EN 10088
Permissible sterilization temperature:	150°C
Version / Surface quality:	Surface, internal: bright finish. Ra < 0.4 µm (ID ≤ 9.5 mm = Ra, internal < 0.6 µm, ID ≤ 6.0 mm = Ra, internal < 0.8 µm) Surface external bright finish
Pipe-Hygiene Classes:	H 3 / H 4 acc. DIN 11866
Marking:	Material number, melt number, manufacturer code
Certificates:	Certificate acc. EN 10204-3.1
Option:	Electropolishing and further dimensions available on request
Remarks:	Technical contents are subject to change **ID countersunk to connection size.

Dimensions for Tri-Clamp Hose Barb							
Type	A	AD	ID	L	Item No.		
acc. DIN 32676							
SA 50.5 D 6.0	50.5	6.0	3.6	42.0	261.008.050		
SA 50.5 D 8.0	50.5	7.9	5.5	42.0	261.005.050.8		
SA 50.5 D 10.2	50.5	10.0	7.6	42.0	261.020.050		
SA 50.5 D 12.7	50.5	12.7	9.5	42.0	261.005.050		
SA 50.5 D 14.0	50.5	14.0	10.8	42.0	261.010.050		
SA 50.5 D 17.2	50.5	17.2	14.0	42.0	261.030.050		
SA 50.5 D 19.0	50.5	19.0	15.8	42.0	261.007.050		
SA 50.5 D 22.2	50.5	22.2	18.2	50.0	261.021.050		
SA 50.5 D 25.4	50.5	25.4	21.4	50.0	261.040.050		
SA 50.5 D 31.8	50.5	31.8	**29.7	50.0	261.032.050		
SA 50.5 D 38.0	50.5	38.0	33.6	50.0	261.050.050		
SA 64.0 D 31.8	64.0	31.8	**38.4	55.0	261.032.064		
SA 64.0 D 38.0	64.0	38.0	33.6	60.0	261.038.064		
SA 64.0 D 42.0	64.0	42.0	37.6	60.0	261.070.064		
SA 64.0 D 48.0	64.0	48.0	43.6	60.0	261.080.064		
SA 64.0 D 51.0	64.0	51.0	46.6	60.0	261.060.064		
SA 77.5 D 50.8	77.5	50.8	**56.3	48.0	261.056.077		
SA 91.0 D 64.0	91.0	64.0	59.6	60.0	261.091.064		

All lengths in millimeters (if not specified differently).

CONNLOCK - MR-DN Hose Connection

Product group:	Hose Connections
Description:	CONNLOCK - MR-DN Hose Connection
Valid standards:	Pipe connection acc. ISO 1127 / *non standard
Material:	Hose Barb: Strn.-W. 1.4435 BN2 (Fe < 0.5%) acc. EN 10088 Union Nut: Strn.-W. 1.4301, Collet: autoclavable PVDF
Permissible sterilization temperature:	150°C
Version / Surface quality:	Surface, internal: bright finish Ra < 0.4 µm (ID ≤ 9.5 mm = Ra, internal < 0.6 µm, ID ≤ 6.0 mm = Ra, internal < 0.8 µm) Surface external bright finish
Pipe-Hygiene Classes:	H 3 / H 4 acc. DIN 11866
Marking:	Size, material number, melt number, manufacturer code
Certificates:	Certificate acc. EN 10204-3.1
Option:	Electropolishing.
Remarks:	Technical contents are subject to change

Dimensions for CONNLOCK - MRDN Hose Connection								
with weld-on ends								
Type	A	B	C	AD	ID	L	Item No.	
		min./max.						
acc. ISO 1127 / *non standard								
MR-DN ISO *6	26.0	12.2 - 13.2	6.4	10.2	7.0	45.0	261.100.006.ISO	
MR-DN ISO 8	30.0	15.0 - 17.0	9.5	13.5	10.3	61.0	261.100.008.375	
MR-DN ISO 8	36.0	16.4 - 18.0	9.5	13.5	10.3	61.0	261.100.008	
MR-DN ISO 8	36.0	19.5 - 21.8	12.7	13.5	10.3	60.0	261.100.008.500	
MR-DN ISO 10	36.0	19.5 - 21.8	12.7	17.2	14.0	60.0	261.100.010	
MR-DN ISO 15	48.0	27.2 - 30.0	19.1	21.3	18.1	64.0	261.100.015	
MR-DN ISO 20	54.0	33.2 - 37.0	25.4	26.9	23.7	64.0	261.100.020	
MR-DN ISO 25	63.0	39.5 - 42.0	31.8	33.7	29.7	68.0	261.100.025	
MR-DN ISO 32	70.0	46.0 - 51.1	38.1	42.4	38.4	68.0	261.100.032	
MR-DN ISO 40	88.0	59.0 - 63.8	50.8	48.3	44.3	95.0	261.100.040	
MR-DN ISO 50	116.0	71.0 - 74.5	63.5	60.3	56.3	100.0	261.100.050	
MR-DN ISO 65	140.0	85.0 - 88.3	76.2	76.1	72.1	120.0	261.100.076	

The technical drawing shows a cross-section of the hose connection. Dimension A is the total length of the assembly. Dimension B is the length of the hose barb. Dimension C is the length of the union nut. Dimension AD is the length of the collet. Dimension ID is the inner diameter of the hose. Dimension L is the length of the hose. The drawing also shows the internal structure of the union nut and collet.

CONNLOCK - MR-DN Hose Connection

Product group:	Hose Connections
Description:	CONNLOCK - MR-DN Hose Connection
Valid standards:	Pipe connection acc. DIN 11866 Series A (DIN 11850) / *non standard
Material:	Hose Barb: Strn.-W. 1.4435 BN2 (Fe < 0.5%) acc. EN 10088 Union Nut: Strn.-W. 1.4301, Collet: autoclavable PVDF
Permissible sterilization temperature:	150°C
Version / Surface quality:	Surface, internal: bright finish Ra < 0.4 µm (ID ≤ 9.5 mm = Ra, internal < 0.6 µm, ID ≤ 6.0 mm = Ra, internal < 0.8 µm) Surface external bright finish
Pipe-Hygiene Classes:	H 3 / H 4 acc. DIN 11866
Marking:	Size, material number, melt number, manufacturer code
Certificates:	Certificate acc. EN 10204-3.1
Option:	Electropolishing.
Remarks:	Technical contents are subject to change

Dimensions for CONNLOCK - MRDN Hose Connection with weld-on ends								
Type	A	B	C	AD	ID	L	Item No.	
		min./max.						
acc. DIN 11866 Series A (DIN 11850)								
MR-DN DIN *6	28.0	12.2 - 13.2	6.4	8.0	6.0	45.0	261.100.006.DIN	
MR-DN DIN 8	36.0	16.4 - 18.0	9.5	10.0	8.0	61.0	261.100.008.DIN	
MR-DN DIN 10	36.0	19.5 - 21.8	12.7	13.0	10.0	60.0	261.100.010.DIN	
MR-DN DIN 15	48.0	27.2 - 30.0	19.1	19.0	16.0	64.0	261.100.015.DIN	
MR-DN DIN 20	54.0	33.2 - 37.0	25.4	23.0	20.0	64.0	261.100.020.DIN	
MR-DN DIN 25	54.0	33.2 - 37.0	25.4	29.0	26.0	60.0	261.100.025.DIN	
MR-DN DIN 32	63.0	39.5 - 42.0	31.8	35.0	32.0	68.0	261.100.032.DIN	
MR-DN DIN 40	70.0	46.0 - 51.1	38.1	41.0	38.0	68.0	261.100.040.DIN	
MR-DN DIN 50	88.0	59.0 - 63.8	50.8	53.0	50.0	95.0	261.100.050.DIN	

The technical drawing shows a cross-section of the hose connection. Dimension A is the total length of the assembly. Dimension B is the length of the hose barb. Dimension C is the length of the union nut. Dimension AD is the length of the collet. Dimension ID is the inner diameter of the hose. Dimension L is the length of the hose. The drawing also shows the internal structure of the union nut and collet.

All lengths in millimeters (if not specified differently).

CONNLOCK - MR-DN Hose Connection

Product group:	Hose Connections
Description:	CONNLOCK - MR-DN Hose Connection
Valid standards:	Pipe connection acc. DIN 11866 Series C (ASME BPE 2009) / *non standard
Material:	Hose Barb: Strn.-W. 1.4435 BN2 (Fe < 0.5%) acc. EN 10088 Union Nut: Strn.-W. 1.4301, Collet: autoclavable PVDF
Permissible sterilization temperature:	150°C
Version / Surface quality:	Surface, internal: bright finish Ra < 0.4 µm (ID ≤ 9.5 mm = Ra, internal < 0.6 µm, ID ≤ 6.0 mm = Ra, internal < 0.8 µm) Surface external bright finish
Pipe-Hygiene Classes:	H 3 / H 4 acc. DIN 11866
Marking:	Size, material number, melt number, manufacturer code
Certificates:	Certificate acc. EN 10204-3.1
Option:	Electropolishing
Remarks:	Technical contents are subject to change

Dimensions for CONNLOCK - MRDN Hose Connection with weld-on ends								
Type	A	B min./max.		C	AD	ID	L	Item No.
acc. DIN 11866 Series C (ASME BPE 2009)								
MR-DN 1/4"	28.0	12.2	13.2	6.4	6.35	4.57	45.0	261.100.006
MR-DN 3/8"	30.0	15.0	17.0	9.5	9.53	7.75	60.0	261.100.009
MR-DN 1/2"	36.0	19.5	21.8	12.7	12.70	9.40	60.0	261.100.012
MR-DN 3/4"	48.0	27.2	30.0	19.1	19.10	15.80	64.0	261.100.019
MR-DN 1"	54.0	33.2	37.0	25.4	25.40	22.10	64.0	261.100.026
MR-DN 1 1/2"	70.0	46.0	51.1	38.1	38.10	34.80	65.0	261.100.038
MR-DN 2"	88.0	59.0	63.8	50.8	50.80	47.50	95.0	261.100.051
MR-DN 2 1/2"	116.0	71.0	74.5	63.5	63.50	60.30	100.0	261.100.063
MR-DN 3"	140.0	85.0	88.3	76.2	76.20	72.90	120.0	261.100.762

The technical drawing shows a cross-section of the hose connection. Dimension A is the total length of the assembly. Dimension B is the length of the hose barb. Dimension C is the length of the union nut. Dimension AD is the length of the collet. Dimension ID is the inner diameter of the hose. Dimension L is the length of the hose. The drawing also shows the internal structure of the union nut and collet.

CONNLOCK - MR-DN Hose Connection

Product group:	Hose Connections
Description:	CONNLOCK - MR-DN Hose Connection
Valid standards:	TC acc. DIN 32676 Series B (ISO 1127) / *non standard
Material:	Hose Barb: Stnr.-W. 1.4435 BN2 (Fe < 0.5%) acc. EN 10088 Union Nut: Stnr.-W. 1.4301, Collet: autoclavable PVDF
Permissible sterilization temperature:	150°C
Version / Surface quality:	Surface, internal: bright finish Ra < 0.4 µm (ID ≤ 9.5 mm = Ra, internal < 0.6 µm, ID ≤ 6.0 mm = Ra, internal < 0.8 µm) Surface external bright finish
Pipe-Hygiene Classes:	H 3 / H 4 acc. DIN 11866
Marking:	Size, material number, melt number, manufacturer code
Certificates:	Certificate acc. EN 10204-3.1
Option:	Electropolishing
Remarks:	Technical contents are subject to change

Dimensions for CONNLOCK - MRDN Hose Connection with Tri-Clamp ends								
Type	A	B	C	TC	ID	L	Item No.	
		min./max.						
acc. DIN 32676 Series B (ISO 1127)								
MR-DN DIN *6	26.0	12.2 - 13.2	6.4	25.0	6.0	50.0	261.025.106	
MR-DN DIN *6	26.0	12.2 - 13.2	6.4	50.5	6.0	50.0	261.050.106	
MR-DN ISO 8	30.0	15.0 - 17.0	9.5	25.0	10.3	52.0	261.025.108.375	
MR-DN ISO 8	30.0	15.0 - 17.0	9.5	50.5	10.3	60.0	261.050.108.375	
MR-DN ISO 8	36.0	16.4 - 18.0	9.5	25.0	10.3	52.0	261.025.108	
MR-DN ISO 8	36.0	16.4 - 18.0	9.5	50.5	10.3	60.0	261.050.108	
MR-DN ISO 10	36.0	19.5 - 21.8	12.7	25.0	14.0	55.0	261.025.110.500	
MR-DN ISO 10	36.0	19.5 - 21.8	12.7	50.5	14.0	61.0	261.050.110	
MR-DN ISO 15	48.0	27.2 - 29.0	19.1	50.5	18.1	64.0	261.050.115	
MR-DN ISO 20	54.0	33.2 - 36.0	25.4	50.5	23.7	60.0	261.050.120	
MR-DN ISO 25	63.0	39.5 - 42.0	31.8	50.5	29.7	65.0	261.050.125	

The technical drawing shows a cross-section of the hose connection. Dimension A is the total length of the assembly. Dimension B is the length of the hose barb. Dimension C is the length of the union nut. Dimension L is the length of the hose. Dimension TC is the thickness of the hose wall.

All lengths in millimeters (if not specified differently).

CONNLOCK - MR-DN Hose Connection

Product group:	Hose Connections
Description:	CONNLOCK - MR-DN Hose Connection
Valid standards:	TC acc. DIN 32676 Series B (ISO 1127)
Material:	Hose Barb: Strn.-W. 1.4435 BN2 (Fe < 0.5%) acc. EN 10088 Union Nut: Strn.-W. 1.4301, Collet: autoclavable PVDF
Permissible sterilization temperature:	150°C
Version / Surface quality:	Surface, internal: bright finish Ra < 0.4 µm (ID ≤ 9.5 mm = Ra, internal < 0.6 µm, ID ≤ 6.0 mm = Ra, internal < 0.8 µm) Surface external bright finish
Pipe-Hygiene Classes:	H 3 / H 4 acc. DIN 11866
Marking:	Size, material number, melt number, manufacturer code
Certificates:	Certificate acc. EN 10204-3.1
Option:	Electropolishing
Remarks:	Technical contents are subject to change

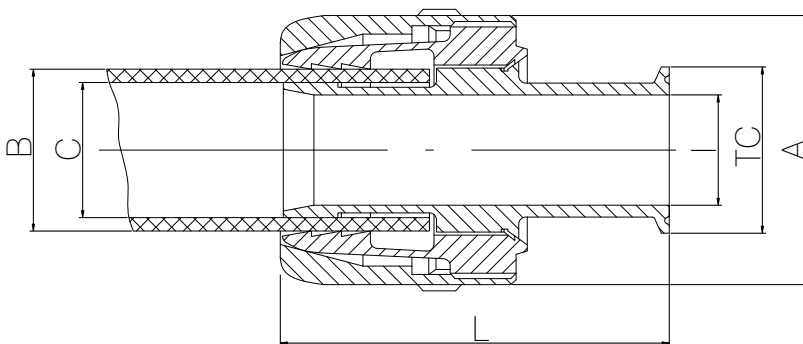
Dimensions for CONNLOCK - MRDN Hose Connection with Tri-Clamp ends								
Type	A	B	C	TC	ID	L	Item No.	
		min./max.						
acc.DIN 32676 Series B (ISO 1127)								
MR-DN ISO 32	70.0	46.0 - 49.5	38.1	64.0	38.4	64.0	261.064.132	
MR-DN ISO 40	88.0	59.0 - 63.0	50.8	64.0	44.3	75.0	261.064.140	
MR-DN ISO 50	116.0	71.0 - 74.5	63.5	77.5	56.3	100.0	261.077.150	
MR-DN ISO 65	140.0	85.0 - 88.3	76.2	91.0	72.1	120.0	261.091.165	

The technical drawing shows a cross-section of the hose connection. Dimension A is the total length of the assembly. Dimension B is the length of the hose barb. Dimension C is the length of the union nut. Dimension TC is the thickness of the tri-clamp. Dimension ID is the inner diameter of the hose. Dimension L is the length of the hose.

CONNLOCK - MR-DN Hose Connection

Product group:	Hose Connections
Description:	CONNLOCK - MR-DN Hose Connection
Valid standards:	TC acc. DIN 32676 Series C (ASME BPE 2009)
Material:	Hose Barb: Strn.-W. 1.4435 BN2 (Fe < 0.5%) acc. EN 10088 Union Nut: Strn.-W. 1.4301, Collet: autoclavable PVDF
Permissible sterilization temperature:	150°C
Version / Surface quality:	Surface, internal: bright finish Ra < 0.4 µm (ID ≤ 9.5 mm = Ra, internal < 0.6 µm, ID ≤ 6.0 mm = Ra, internal < 0.8 µm) Surface external bright finish
Pipe-Hygiene Classes:	H 3 / H 4 acc. DIN 11866
Marking:	Size, material number, melt number, manufacturer code
Certificates:	Certificate acc. EN 10204-3.1
Option:	Electropolishing
Remarks:	Technical contents are subject to change

Dimensions for CONNLOCK - MRDN Hose Connection with Tri-Clamp ends								
Type	A	B min./max.		C	TC	ID	L	Item No.
acc. DIN 32676 Series C (ASME BPE 2009)								
MR-DN 1/4"	26.0	12.2	13.2	6.4	25.0	4.60	50.0	261.025.204
MR-DN 3/8"	30.0	15.0	17.0	9.5	25.0	7.75	52.0	261.025.009
MR-DN 1/2"	36.0	19.5	21.8	12.7	25.0	9.40	55.0	261.025.212.500
MR-DN 5/8"	44.0	24.0	25.0	15.9	25.0	15.80	60.0	261.025.258
MR-DN 5/8"	44.0	24.0	25.0	15.9	50.5	15.80	60.0	261.050.258
MR-DN 3/4"	48.0	27.2	29.0	19.1	25.0	15.80	64.0	261.025.219
MR-DN 1"	54.0	33.2	36.0	25.4	50.5	22.10	60.0	261.050.225
MR-DN 1 1/2"	70.0	46.0	49.5	38.1	50.5	34.80	64.0	261.050.238
MR-DN 2"	88.0	59.0	63.0	50.8	64.0	47.50	95.0	261.064.247
MR-DN 2 1/2"	116.0	71.0	74.5	63.5	77.5	60.20	100.0	261.077.603
MR-DN 3"	140.0	85.0	88.3	76.2	91.0	72.90	120.0	261.091.762



All lengths in millimeters (if not specified differently).

CONNLOCK - MR-DN Hose Connection

Product group: Hose Connections

Description: CONNLOCK - MR-DN hose connection
Hose connections with welded end

Remarks: Technical contents are subject to change.
Pressure / Temperature ratings may be limited by the end connections.
Item-Numbers for hose types - see chapter hoses

CONNLOCK - MR-DN Hose Connection joint / hose type							
Hose connection joint with welded end							
Hose Connection Type	ISO	Item No. for Hose Connection	Standard Pipe Connection	Hose Type			Hose ID
MR-DN	ISO 6	261.100.006 .ISO	acc. DIN 11866 Series B	STHT-R 250			6.4
MR-DN	ISO 8	261.100.008.375	acc. DIN 11866 Series B	STHT-R 375			9.5
MR-DN	ISO 8	261.100.008	acc. DIN 11866 Series B	STHT-R 375HW			9.5
MR-DN	ISO 8	261.100.008 .500	acc. DIN 11866 Series B		STHT-W 500		12.7
MR-DN	ISO 10	261.100.010	acc. DIN 11866 Series B	STHT-R 500	STHT-W 500	U-Cor 08	12.7
MR-DN	ISO 15	261.100.015	acc. DIN 11866 Series B	STHT-R 750	STHT-W 750	U-Cor 12	19.1
MR-DN	ISO 20	261.100.020	acc. DIN 11866 Series B	STHT-R 1000	STHT-W 1000	U-Cor 16	25.4
MR-DN	ISO 25	261.100.025	acc. DIN 11866 Series B	STHT-R 1250	STHT-W 1250	U-Cor 20	31.8
MR-DN	ISO 32	261.100.032	acc. DIN 11866 Series B		STHT-W 1500	U-Cor 24	38.1
MR-DN	ISO 40	261.100.040	acc. DIN 11866 Series B		STHT-W 2000	U-Cor 32	50.8
MR-DN	ISO 50	261.100.050	acc. DIN 11866 Series B		STHT-W 2500		63.5
MR-DN	ISO 65	261.100.076	acc. DIN 11866 Series B		STHT-W 3000		76.2
MR-DN	DIN 6	261.100.006.DIN	acc. DIN 11866 Series A	STHT-R 250			6.4
MR-DN	DIN 8	261.100.008.DIN	acc. DIN 11866 Series A	STHT-R 375HW			9.5
MR-DN	DIN 10	261.100.010.DIN	acc. DIN 11866 Series A	STHT-R 500	STHT-W 500	U-Cor 08	12.7
MR-DN	DIN 15	261.100.015.DIN	acc. DIN 11866 Series A	STHT-R 750	STHT-W 750	U-Cor 12	19.1
MR-DN	DIN 20	261.100.020.DIN	acc. DIN 11866 Series A	STHT-R 1000	STHT-W 1000	U-Cor 16	25.4
MR-DN	DIN 25	261.100.025.DIN	acc. DIN 11866 Series A	STHT-R 1000	STHT-W 1000	U-Cor 16	25.4
MR-DN	DIN 32	261.100.032.DIN	acc. DIN 11866 Series A		STHT-W 1250	U-Cor 20	31.8
MR-DN	DIN 40	261.100.040.DIN	acc. DIN 11866 Series A		STHT-W 1500	U-Cor 24	38.1
MR-DN	DIN 50	261.100.050.DIN	acc. DIN 11866 Series A		STHT-W 2000	U-Cor 32	50.8
MR-DN	1/4"	261.100.006	acc. DIN 11866 Series C	STHT-R 250			6.4
MR-DN	3/8"	261.100.009	acc. DIN 11866 Series C	STHT-R 375			9.5
MR-DN	1/2"	261.100.012	acc. DIN 11866 Series C	STHT-R 500	STHT-W 500	U-Cor 08	12.7
MR-DN	3/4"	261.100.019	acc. DIN 11866 Series C	STHT-R 750	STHT-W 750	U-Cor 12	19.1
MR-DN	1"	261.100.026	acc. DIN 11866 Series C	STHT-R 1000	STHT-W 1000	U-Cor 16	25.4
MR-DN	1 1/2"	261.100.038	acc. DIN 11866 Series C		STHT-W 1500	U-Cor 24	38.1
MR-DN	2"	261.100.051	acc. DIN 11866 Series C		STHT-W 2000	U-Cor 32	50.8
MR-DN	2 1/2"	261.100.063	acc. DIN 11866 Series C		STHT-W 2500		63.5
MR-DN	3"	261.100.076	acc. DIN 11866 Series C		STHT-W 3000		76.2

CONNLOCK - MR-DN Hose Connection

Product group: Hose Connections

Description: CONNLOCK - MR-DN hose connection
Hose connections with Tri-Clamp ends

Remarks: Technical contents are subject to change
Pressure / Temperature ratings may be limited by the end connections.
Item-Numbers for hose types - see chapter hoses

CONNLOCK - MRDN Hose Connection joint / hose type								
Hose Connection joints with Tri-Clamp ends								
Hose Connection Type	TC-Size	Item No. for Hose Connection	Standard TC / Pipe sizes	Hose Type			Hose ID	
MR-DN	DIN 6	TC 25.0	261.025.106	acc. DIN 11866 Series A	STHT-R 250			6.4
MR-DN	DIN 6	TC 50.5	261.050.106	acc. DIN 11866 Series A	STHT-R 250			6.4
MR-DN	ISO 8	TC 25.0	261.025.108.375	acc. DIN 11866 Series B	STHT-R 375			9.5
MR-DN	ISO 8	TC 50.5	261.050.108.375	acc. DIN 11866 Series B	STHT-R 375			9.5
MR-DN	ISO 8	TC 25.0	261.025.108	acc. DIN 11866 Series B	STHT-R 375HW			9.5
MR-DN	ISO 8	TC 50.5	261.050.108	acc. DIN 11866 Series B	STHT-R 375HW			9.5
MR-DN	ISO 10	TC 25.0	261.025.110.500	acc. DIN 11866 Series B	STHT-R 500	STHT-W 500	U-Cor 08	12.7
MR-DN	ISO 10	TC 50.5	261.050.110	acc. DIN 11866 Series B	STHT-R 500	STHT-W 500	U-Cor 08	12.7
MR-DN	ISO 15	TC 50.5	261.050.115	acc. DIN 11866 Series B	STHT-R 750	STHT-W 750	U-Cor 12	19.1
MR-DN	ISO 20	TC 50.5	261.050.120	acc. DIN 11866 Series B	STHT-R 1000	STHT-W 1000	U-Cor 16	25.4
MR-DN	ISO 25	TC 50.5	261.050.125	acc. DIN 11866 Series B	STHT-R 1250	STHT-W 1250	U-Cor 20	31.8
MR-DN	ISO 32	TC 64.0	261.064.132	acc. DIN 11866 Series B		STHT-W 1500	U-Cor 24	38.1
MR-DN	ISO 40	TC 64.0	261.064.140	acc. DIN 11866 Series B		STHT-W 2000	U-Cor 32	50.8
MR-DN	ISO 50	TC 77.5	261.077.150	acc. DIN 11866 Series B		STHT-W 2500		63.5
MR-DN	ISO 65	TC 91.0	261.091.165	acc. DIN 11866 Series B		STHT-W 3000		76.2
MR-DN	1/4"	TC 25.0	261.025.204	acc. DIN 11866 Series C	STHT-R 250			6.4
MR-DN	3/8"	TC 25.0	261.025.009	acc. DIN 11866 Series C	STHT-R 375			9.5
MR-DN	1/2"	TC 25.0	261.025.212.500	acc. DIN 11866 Series C	STHT-R 500	STHT-W 500	U-Cor 08	12.7
MR-DN	5/8"	TC 25.0	261.025.258	acc. DIN 11866 Series C	STHT-R 625			15.9
MR-DN	5/8"	TC 50.5	261.050.258	acc. DIN 11866 Series C	STHT-R 625			15.9
MR-DN	3/4"	TC 25.0	261.025.219	acc. DIN 11866 Series C	STHT-R 750	STHT-W 750	U-Cor 12	19.1
MR-DN	1"	TC 50.5	261.050.225	acc. DIN 11866 Series C	STHT-R 1000	STHT-W 1000	U-Cor 16	25.4
MR-DN	1 1/2"	TC 50.5	261.050.238	acc. DIN 11866 Series C		STHT-W 1500	U-Cor 24	38.1
MR-DN	2"	TC 64.0	261.064.247	acc. DIN 11866 Series C		STHT-W 2000	U-Cor 32	50.8
MR-DN	2 1/2"	TC 77.5	261.077.603	acc. DIN 11866 Series C		STHT-W 2500		63.5
MR-DN	3"	TC 91.0	261.091.165	acc. DIN 11866 Series C		STHT-W 3000		76.2

All lengths in millimeters (if not specified differently).

MR-DN with aseptic Female Unions acc. DIN 11864-1 DIN 11864 and Grooved Nut acc. DIN 11851

Product group:	Connection acc. DIN 11864 / Form A
Description:	MR-DN with aseptic female unions acc. DIN 11864-1 and grooved nut DIN 11851
Valid standards:	DIN 11864-1 with pipe connection acc. DIN 11866, Series B ISO 1127
Material:	Nipple: Stnr.-W.. 1.4435 BN2 (Fe < 0.5%) acc. EN 10088-1 welding seam Fe < 1% Knurled and grooved nut: control no. -W. 1.4301 Collet: PVDF, autoclavable
Version / Surface quality:	Surfaces, internal: bright finish Ra < 0.4 µm Surfaces, external bright finish
Marking:	Size, material number, melt number, manufacturer code
Certificates:	Certificate acc. EN 10204-3.1
Option:	Electropolishing
Remarks:	Technical contents are subject to change Pressure / Temperature-ratings may be limited by the end connections.

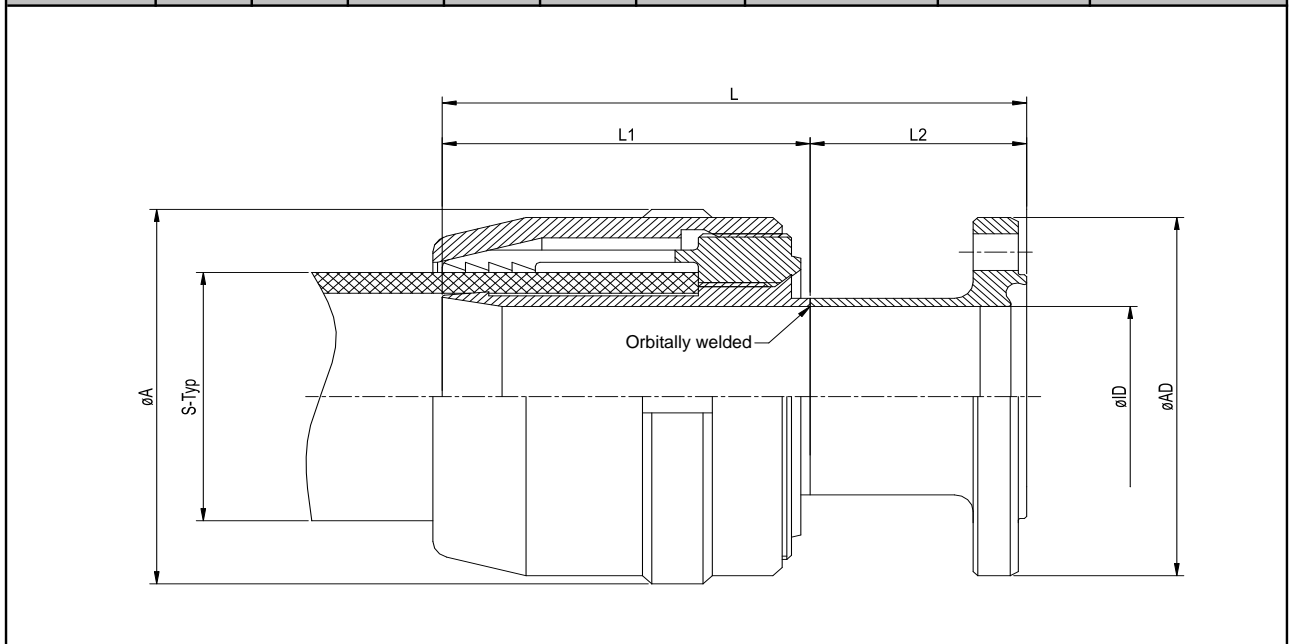
Dimensions for MR-DN with aseptic Female Unions acc. DIN 11864-1 and Grooved Nut DIN 11851										
Type	ø A	ø AD	ø ID	ø AN	L	S-Type = Hose Type	Item No. MR-DN	Item No. Grooved Nut		
acc. DIN 11866, Series B (ISO 1127)										
ISO DN 10	38.2	27.9	14.0	44.0	70.0	STHT-R / W 0500	U-Cor 08	261.012.010	222.015.010	
ISO DN 15	50.0	35.9	18.1	54.0	75.0	STHT-R / W 0750	U-Cor 12	261.012.015	222.015.015	
ISO DN 20	56.0	42.9	23.7	63.0	75.0	STHT-R / W 1000	U-Cor 16	261.012.020	222.015.020	
ISO DN 25	67.0	48.9	29.7	70.0	82.0	STHT-R / W 1250	U-Cor 20	261.012.025	222.015.025	
ISO DN 32	74.0	54.9	38.4	78.0	82.0	STHT-W 1500	U-Cor 24	261.012.032	222.015.032	
ISO DN 40	92.0	66.9	44.3	92.0	110.0	STHT-W 2000	U-Cor 32	261.012.040	222.015.040	
ISO DN 50	120.0	84.9	56.3	112.0	120.0	STHT-W 2500	-	261.012.050	222.015.050	

MR-DN with aseptic Grooved Flange acc. DIN 11864-2, Orbitally welded

Product group:	Connection acc. DIN 11864 / Form A
Description:	MR-DN with aseptic groove flange acc. DIN 11864-2, Orbitally welded
Valid standards:	DIN 11864-2 with pipe connection acc. DIN 11866, Series B ISO 1127
Material:	Nipple and flange: Strn.-W.. 1.4435 BN2 (Fe < 0.5%) acc. EN 10088-1 welding seam Fe < 1% Knurled nut: control number W. 1.4301, collet: PVDF, autoclavable
Version / Surface quality:	Surfaces, internal: bright finish Ra < 0.4 µm Surfaces, external bright finish
Marking:	Size, material number, melt number, manufacturer code
Certificates:	Certificate acc. EN 10204-3.1
Option:	Electropolishing
Remarks:	Technical contents are subject to change Pressure / Temperature ratings may be limited by the end connections. MR-DN with aseptic collared flange acc. DIN 11864-2 on request

Dimensions for MR-DN with aseptic Grooved Flange acc. DIN 11864-2

Type	ø A	ø AD	ø ID	L1	L2	L1 + L2	S-Type = Hose Type	Item No. MR-DN
acc. DIN 11866, Series B (ISO 1127)								
ISO DN 8	38.2	54.0	10.3	44.0	41.5	85.5	STHT-R 0375 HW	- 261.021.008
ISO DN 10	38.2	59.0	14.0	44.0	41.5	85.5	STHT-R / W 0500	U-Cor 08 261.021.010
ISO DN 15	50.0	62.0	18.1	47.0	41.5	88.5	STHT-R / W 0750	U-Cor 12 261.021.015
ISO DN 20	56.0	69.0	23.7	47.0	41.5	88.5	STHT-R / W 1000	U-Cor 16 261.021.020
ISO DN 25	67.0	74.0	29.7	52.0	46.5	98.5	STHT-R / W 1250	U-Cor 20 261.021.025
ISO DN 32	74.0	82.0	38.4	52.0	46.5	98.5	STHT-W 1500	U-Cor 24 261.021.032
ISO DN 40	92.0	88.0	44.3	79.0	46.5	125.5	STHT-W 2000	U-Cor 32 261.021.040
ISO DN 50	120.0	103.0	56.3	84.0	55.5	139.5	STHT-W 2500	- 261.021.603



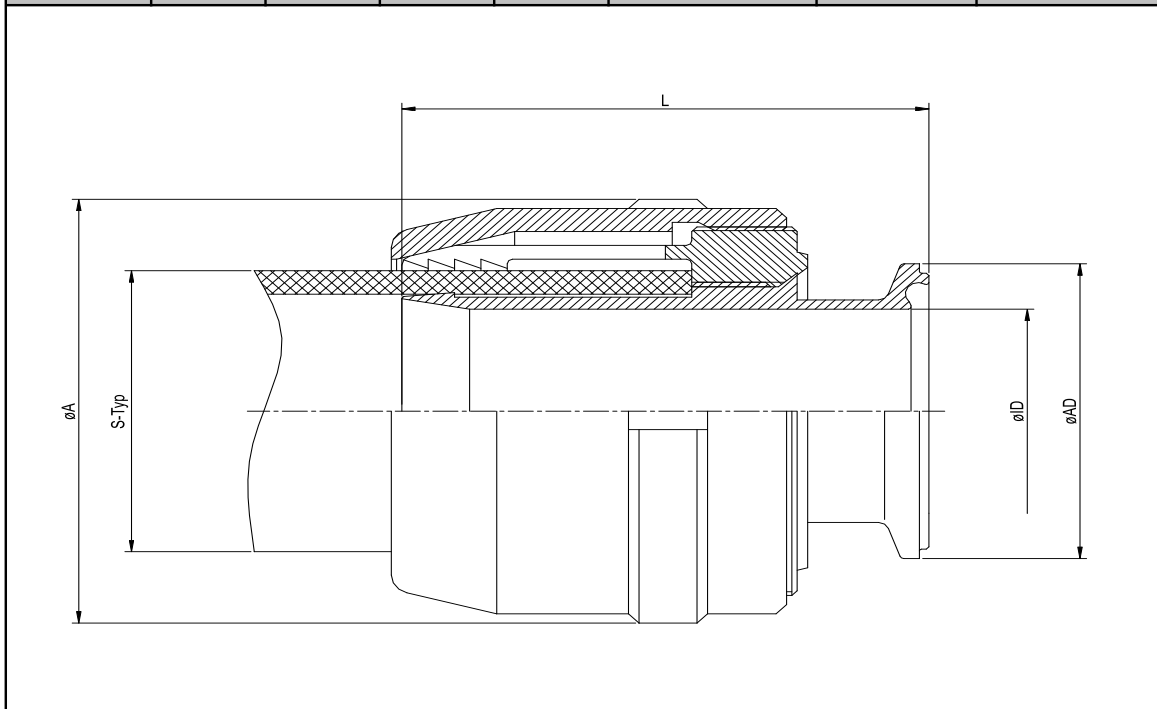
All lengths in millimeters (if not specified differently).

MR-DN with aseptic Grooved Clamp acc. DIN 11864-3

Product group:	Connection acc. DIN 11864 / Form A
Description:	MR-DN with aseptic grooved clamp acc. DIN 11864-3
Valid standards:	DIN 11864-3 with pipe connection acc. DIN 11866, Series B ISO 1127
Material:	Nipple: control no. Strn -W. 1.4435 BN2 (Fe < 0.5%) acc. EN 10088-1 welding seam Fe < 1% Knurled nut: control no. -W. 1.4301, collet: PVDF, autoclavable
Version / Surface quality:	Surfaces, internal: bright finish Ra < 0.4 µm Surfaces, external bright finish
Marking:	Size, material number, melt number, manufacturer code
Certificates:	Certificate acc. EN 10204-3.1
Option:	Electropolishing
Remarks:	Technical contents are subject to change Pressure /Temperature ratings may be limited by the end connections

Dimensions for MR-DN with aseptic Grooved Clamp support acc. DIN 11864-3

Type	ø A	ø AD	ø ID	L	S-Type = Hose Type	Item No. MR-DN
acc. DIN 11866, Series B (ISO 1127)						
ISO DN 8	38.2	34.0	10.3	60.0	STHT-R 0375 HW	- 261.031.008
ISO DN 10	38.2	34.0	14.0	60.0	STHT-R / W 0500	U-Cor 08 261.031.010
ISO DN 15	50.0	34.0	18.1	65.0	STHT-R / W 0750	U-Cor 12 261.031.015
ISO DN 20	56.0	50.5	23.7	70.0	STHT-R / W 1000	U-Cor 16 261.031.020
ISO DN 25	67.0	50.5	29.7	70.0	STHT-R / W 1250	U-Cor 20 261.031.025
ISO DN 32	74.0	64.0	38.4	75.0	STHT-W 1500	U-Cor 24 261.031.032
ISO DN 40	92.0	64.0	44.3	100.0	STHT-W 2000	U-Cor 32 261.031.040
ISO DN 50	120.0	91.0	56.3	110.0	STHT-W 2500	- 261.031.050

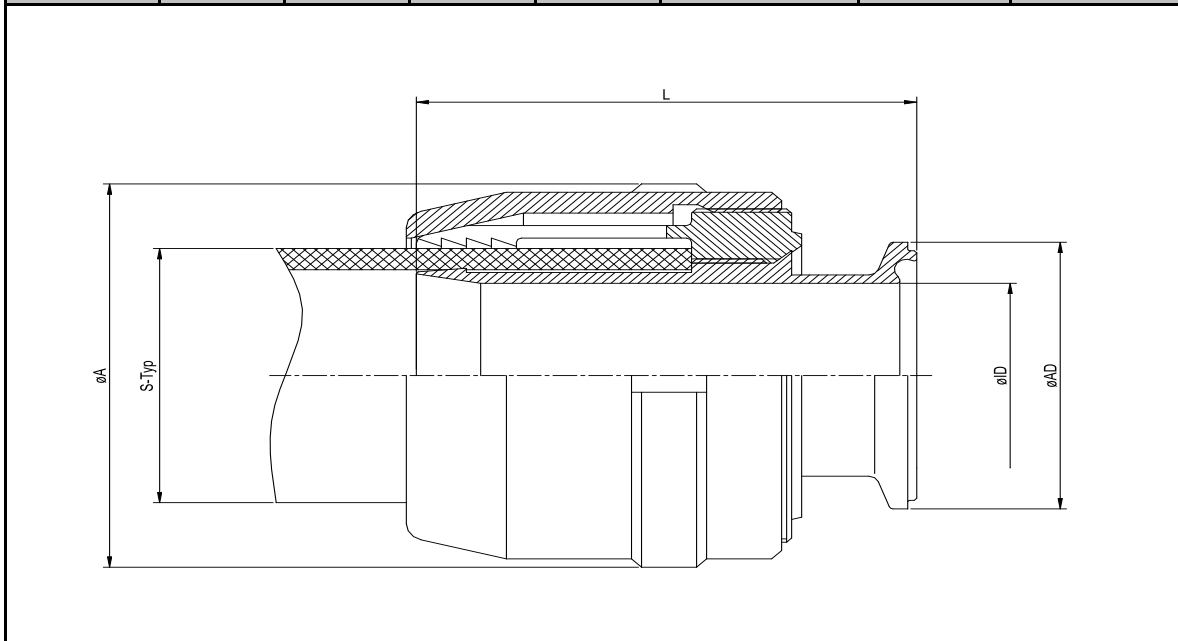


MR-DN with aseptic with Lapped Clamp acc. DIN 11864-3

Product group:	Connections acc. DIN 11864 / form A
Description:	MR-DN with aseptic lapped clamp acc. DIN 11864-3
Valid standards:	DIN 11864-3 with pipe connection acc. DIN 11866, Series B ISO 1127
Material:	Nipple: control no. Strn -W. 1.4435 BN2 (Fe < 0.5%) acc. EN 10088-1 welding seam Fe < 1% Knurled nut: control no. -W. 1.4301, collet: PVDF, autoclavable
Version / Surface quality:	Surfaces, internal: bright finish, shiny Ra < 0.4 µm . Surfaces, external bright finish
Marking:	Size, material number, melt number, manufacturer code
Certificates:	Certificate acc. EN 10204-3.1
Option:	Electropolishing
Remarks:	Technical contents are subject to change Pressure /Temperature ratings may be limited by the end connections

Dimensions for MR-DN with aseptic Lapped Clamp support acc. DIN 11864-3

Type	ø A	ø AD	ø ID	L	S-Type = Hose Type	Item No. MR-DN
acc. DIN 11866, Series B (ISO 1127)						
ISO DN 8	38.2	34.0	10.3	60.0	STHT-R 0375 HW	- 261.032.008
ISO DN 10	38.2	34.0	14.0	60.0	STHT-R / W 0500	U-Cor 08 261.032.010
ISO DN 15	50.0	34.0	18.1	65.0	STHT-R / W 0750	U-Cor 12 261.032.015
ISO DN 20	56.0	50.5	23.7	70.0	STHT-R / W 1000	U-Cor 16 261.032.020
ISO DN 25	67.0	50.5	29.7	70.0	STHT-R / W 1250	U-Cor 20 261.032.025
ISO DN 32	74.0	64.0	38.4	75.0	STHT-W 1500	U-Cor 24 261.032.032
ISO DN 40	92.0	64.0	44.3	100.0	STHT-W 2000	U-Cor 32 261.032.040
ISO DN 50	120.0	91.0	56.3	110.0	STHT-W 2500	- 261.032.050



All lengths in millimeters (if not specified differently).