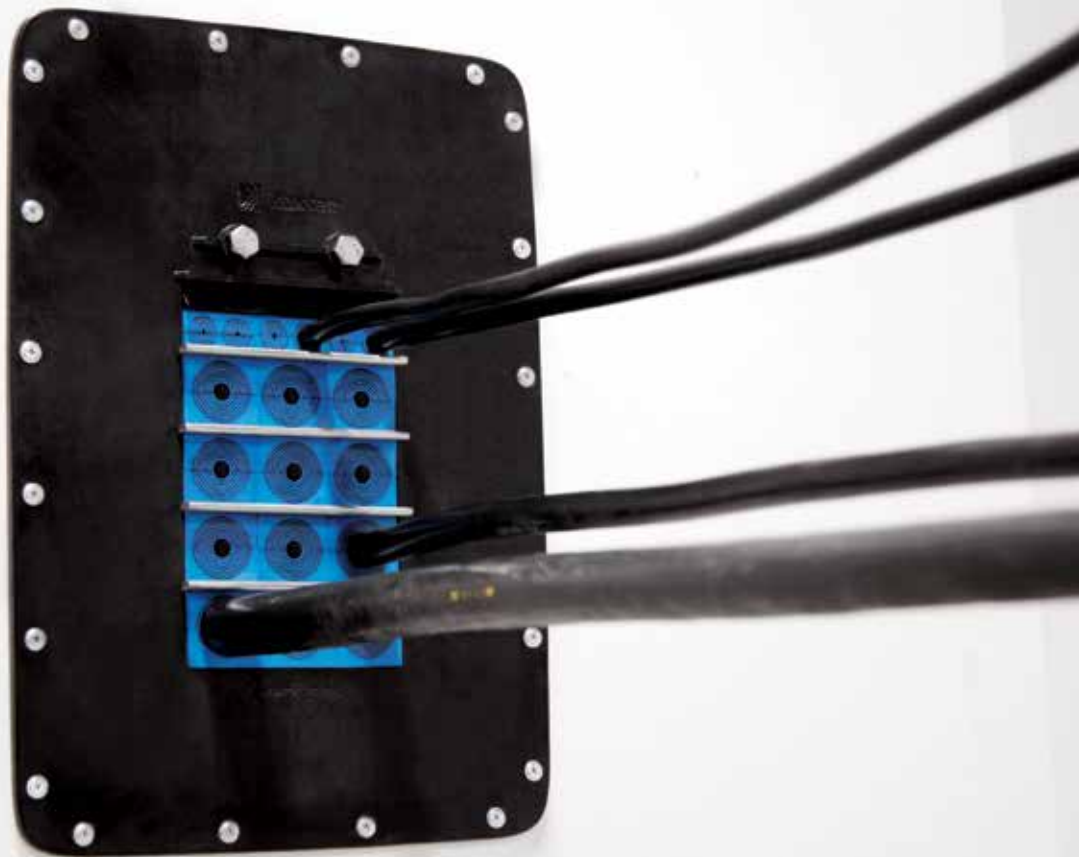




Roxtec ComShelt – for cables and pipes



Flexible and easy to use

The new Roxtec ComShelt entry seal kit for cables and pipes is designed for the telecom market and combines flexibility with cost-efficiency. The compression unit is integrated in the frame.

Keeping out water and dust

The frame is available in two sizes and made for bolting or riveting

onto shelters or cabinets. The seal provides protection against water, dust, insects, and rodents.

Multidiameter™ by Roxtec

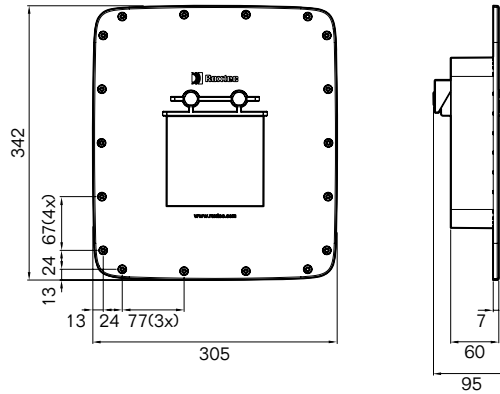
Thanks to the Roxtec technology based on sealing modules with removable layers, each module can be used to seal cables and pipes of different sizes.

BENEFITS

- IP 55
- Integrated compression unit
- Weather proof
- Low weight composite (PA)
- Customized kit-solutions
- Adaptable to different sizes of cable

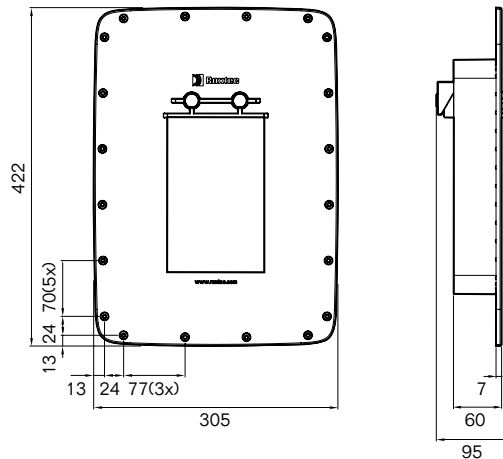
We Seal Your World™

Roxtec ComShelt S



Roxtec ComShelt S	Diameter range and number of cables/pipes		Weight		Holecut width x length (mm)	Art No.
	(kg)	(lb)				
Kit	0+3.5-16.5 0+0.138-0.650 (RM 20w40)	0+9.5-32.5 0+0.374-1.280 (RM 40 10-32)				
ComShelt S/12	6 cables/pipes	6 cables/pipes	2.8	6.17	190 x 230	CSS0000000012
ComShelt S/30	30 cables/pipes		2.8	6.17	190 x 230	CSS0000000030

Roxtec ComShelt L



Roxtec ComShelt L	Diameter range and number of cables/pipes			Weight		Holecut width x length (mm)	Art No.
	(kg)	(lb)					
Kit	0+3.5-16.5 0+0.138-0.650 (RM 20w40)	0+9.5-32.5 0+0.374-1.280 (RM 40 10-32)	0+24.0-54.0 0+0.945-2.126 (RM 60 24-54)				
ComShelt L/6			6 cables/pipes	3.9	8.59	190 x 310	CSL0000000006
ComShelt L/18	6 cables/pipes	12 cables/pipes		3.9	8.59	190 x 310	CSL0000000018

Each kit consists of:

- Roxtec ComShelt frame
- Roxtec RM modules
- Selfdrilling screws
- Assembly gel bag 20 ml
- Stayplates

Frame material:

Composite (PA 6.6 33% GF)



Roxtec International AB
 Box 540, 371 23 Karlskrona, SWEDEN
 PHONE +46 455 36 67 00, FAX +46 455 820 12
 EMAIL info@roxtec.com, www.roxtec.com