

PRODUCT INFORMATION PACKET



Model No:
Catalog No: FM1036
MODEL-RFHP-48FR
Fan Coil / Room Air Conditioner



Regal and Century are trademarks of Regal Beloit Corporation or one of its affiliated companies.
©2019 Regal Beloit Corporation, All Rights Reserved. MC017097E





Nameplate Specifications

Output HP	1/3 HP	Output KW	0.25 kW
Frequency	60 Hz	Voltage	208-230 V
Current	2.4 A	Speed	1075 RPM
Service Factor	1	Phase	1
Duty	Air Over	Insulation Class	B
Frame	48Y	Enclosure	Open Enclosed
Overload Protector	Automatic	Ambient Temperature	50 °C
UL	Recognized	CSA	Y
CE	N		

Technical Specifications

Electrical Type	Permanent Split Capacitor	Starting Method	Induction Run
Poles	6	Rotation	Reversible
Mounting	Flexible Arms	Motor Orientation	Horizontal
Drive End Bearing	Sleeve	Opp Drive End Bearing	Sleeve
Frame Material	Rolled Steel	Shaft Type	Flat
Overall Length	10.36 in	Frame Length	3.75 in
Shaft Diameter	0.500 in	Shaft Extension	6.0 FLAT in
Outline Drawing	FM1036-S01		

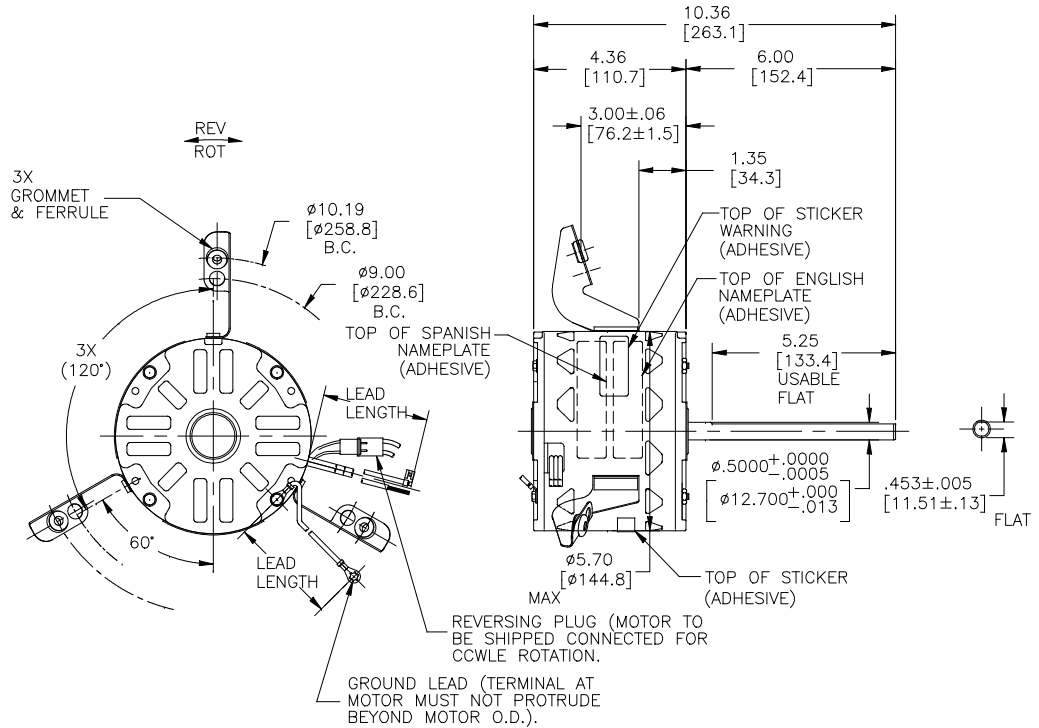
This is an uncontrolled document once printed or downloaded and is subject to change without notice. Date Created: 06/28/2019

GENERAL INFORMATION:

SHAFT RUNOUT: .001[.03] T.I.R. PER INCH LENGTH OF EXTENSION.
 END PLAY: .010[.25] TO .063[1.60]
 BEARINGS: SLEEVE
 MOUNTING POSITION: HORIZONTAL

ELECTRICAL DATA:

OVERLOAD PROTECTOR: AUTOMATIC RESET (T.I. 7AM 036)
 LEADS: NO. 18 GA., .03 THK., 125°C INSUL.
 GROUND LEAD: NO. 18 GA., .03 THK., (GREEN) INSUL.



NAMEPLATE DATA:	EXTERNAL CONNECTION DIAGRAM
MODEL NO.: F48N87A01 CUST. P/N: FM1036 HP: 1/3 ROT: REVERSIBLE RPM: 1075/3 SPD. TYPE: UF FRAME: 48Y VOLTS: 208-230 PH: 1 AMPS: 2.4 HZ: 60/50 INS: B AMB: 50°C DUTY: AIR OVER CAP.: 7.5 MFD/370V ENCL: OPEN CSA LOGO UL LOGO THERMALLY PROTECTED	
	ROTATION SELECTION BLK CCW BLK WHT CW WHT BLK CW WHT WHT CCW BLK

LEAD DATA		
COLOR	LENGTH	TERMINAL OR STRIP LENGTH
RED	26.0/28.0 [660/711]	.50 [12.7] SKIN
BLUE	26.0/28.0 [660/711]	.50 [12.7] SKIN
BLACK	26.0/28.0 [660/711]	.50 [12.7] SKIN
YELLOW	26.0/28.0 [660/711]	.50 [12.7] SKIN
BROWN	26.0/28.0 [660/711]	.25 [6.4] FLAG
BROWN/WHITE	26.0/28.0 [660/711]	.25 [6.4] FLAG
BLACK/WHITE	3.0/5.0 [76/127]	REVERSING PLUG
GREEN (GRD)	12.0/13.0 [304/330]	#10 EYELET

REGAL-BELOIT CORPORATION (RBC) PROVIDES TECHNICAL ASSISTANCE TO OUR CUSTOMERS IN SEVERAL AREAS. SINCE RBC DOES NOT RECEIVE ALL DATA CONCERNING THE USE AND APPLICATION OF THE MOTOR, THE SUITABILITY OF THE MOTOR FOR THE APPLICATION MUST BE DETERMINED BY THE CUSTOMER.
 DIMENSIONS WITHOUT TOLERANCES ARE FOR REFERENCE ONLY.

ENCLOSURE		
END FRAME - LE	OPEN	
MAIN FRAME - LE	OPEN	
END FRAME - OLE	OPEN	
MAIN FRAME - OLE	OPEN	

CUSTOMER	DISTRIBUTION SERVICE
----------	----------------------

PERFORMANCE CURVE NO.	TORQUE @1075 RPM (25°C)	APPROVED SAMPLE	UL COMPONENT	CSA
FILE #	CCN #	FILE #	CLASS #	
C31884	38.9 OZ. FT.	99AC397A	E46412 PRGY2	LR43341 4211-01

DRAWING REVISION BY: ECO	REVISION BY: HANNA,ZOU	DATE: 04-30-2019
ECO-0165194	APPROVED BY: KEYUN,GONG	DATE: 04-30-2019
ECO DESCRIPTION: SEE ECO		

COPYRIGHT REGAL-BELOIT AMERICA, INC. ALL RIGHTS RESERVED. PROPRIETARY AND CONFIDENTIAL INFORMATION - THIS DOCUMENT IS THE PROPERTY OF REGAL-BELOIT AMERICA, INC. ("OWNER") AND CONTAINS OWNER'S PROPRIETARY INFORMATION. ANY REPRODUCTION, COPIATION OR OTHER FIRM RECEIVING IT IS DENIED. BY RECEIVING IT, TO AGREE THAT IT, AND/OR ANY PART OF IT, SHALL NOT BE DISCLOSED TO ANY PERSON, CORPORATION OR OTHER ENTITY, SUPPLIER, AND/OR USER WITHOUT AS EXPRESSLY APPROVED IN WRITING BY OWNER. THIS DOCUMENT SHALL BE RETURNED TO OWNER UPON REQUEST. IT MAY BE SUBJECT TO CERTAIN RESTRICTIONS UNDER APPLICABLE EXPORT CONTROL LAWS AND REGULATIONS.

DRAWN BY: TZ	DATE: 04-20-2011	APPROVED BY: TW	DATE: 04-20-2011	PROCESS/FINISH: -	THIRD ANGLE PROJECTION
Regal Beloit America, Inc.			MODEL-RFHP-48FR OUTLINE		
SIZE: C	DWG NO: FM1036	SHEET 1			