

ENERGIZER CR2430

Lithium Coin

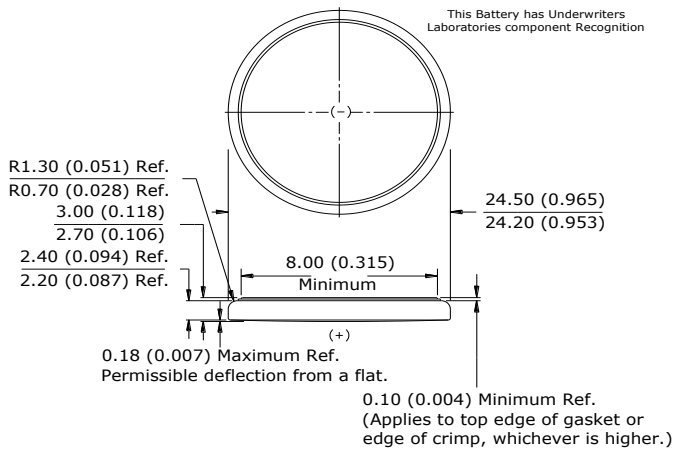


Industry Standard Dimensions

mm (inches)



This Battery has Underwriters Laboratories component Recognition



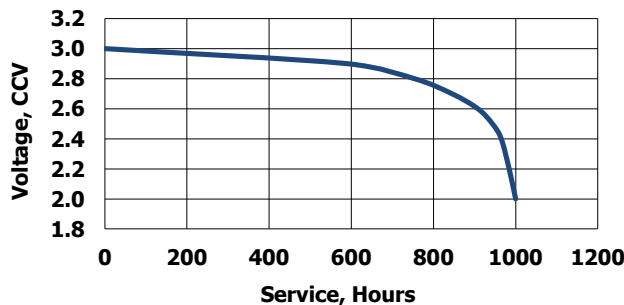
Simulated Application test

Typical Performance at 21°C (70°F)

Schedule:	Typical Drains: at 2.9V (mA)	Load (ohms)	Cutoff 2.0V (hours)
Continuous	0.29	10,000	1,000

Typical Discharge Characteristics

Load: 10K ohms - Continuous
Typical Drain @ 2.9V: 0.29 mA

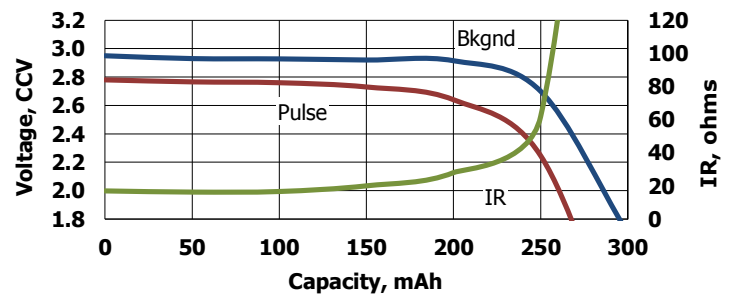


Internal Resistance Characteristics

Pulse Test at 21°C (70°F)

Bkgnd Drain: Continuous
10K ohms
0.29 mA @2.9V

Pulse Drain: 2 seconds X 12 times/day
300 ohms
9.3 mA @2.7V



Pack Quantity : 2
Manufacturers Part Number : 637991

Specifications

Classification:	"Lithium Coin"
Chemical System:	Lithium / Manganese Dioxide (Li/MnO ₂)
Designation:	ANSI / NEDA-5011LC, IEC-CR2425
Nominal Voltage:	3.0 Volts
Typical Capacity:	290 mAh (to 2.0 volts) (Rated at 10K ohms at 21°C)
Typical Weight:	4.6 grams (0.16 oz.)
Typical Volume:	1.3 cubic centimeters (0.08 cubic inch)
Max Rev Charge:	1 microampere
Energy Density:	183 milliwatt hr/g, 647 milliwatt hr/cc
Typical Li Content:	< 0.3g
UL Recognized:	MH29980
Operating Temp:	-30C to 60C
Self Discharge:	~1% / year

Safety:



(1) KEEP OUT OF REACH OF CHILDREN. Swallowing may lead to serious injury or death in as little as 2 hours due to chemical burns and potential perforation of the esophagus. **Immediately see doctor; have doctor phone (202) 625-3333.**

(2) Battery compartment design. To prevent children from removing batteries, battery compartments should be designed with one of the following methods: a) a tool such as screwdriver or coin is required to open battery compartment or b) the battery compartment door/cover requires the application of a minimum of two independent and simultaneous movements of the securing mechanism to open by hand. Screws should remain captive with the battery door or cover.