

10 Slide bearing DE

Manufacturer RENK
 Type of bearing EF-ZLB 14-140 12-160 10-160
 Type of lubrication, type of oil and quantity of oil according to instructions or lubricating data plate

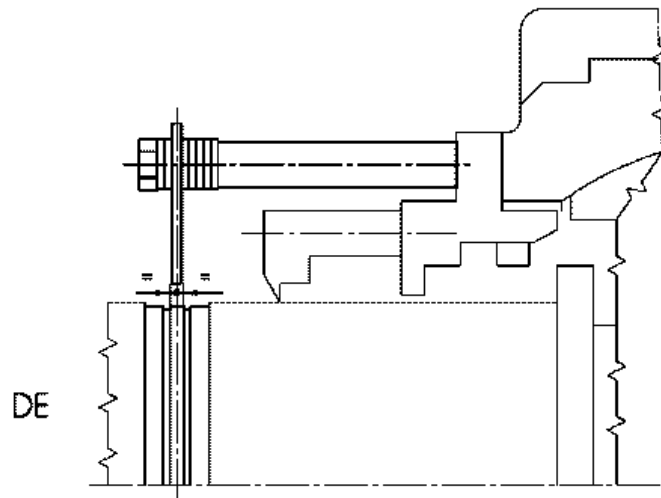
☞ Further details see technical instructions for operation and maintenance of manufacturer

☞ Delivery without oil !

Pressure at oil inlet into bearing (OZ) max. 0.05 MPa

☞ Lowest permissible oil temperature +5°C

- Bearing with indicator for geometrical center of axial rotor position



Before the coupling is mounted, the rotor has to be set to its geometrical center. If the position of the pointer is over the middle of the marking on the shaft (as shown above), the axial clearance of the bearing is correctly adjusted. Due to production tolerances the axial clearance of the bearing can be somewhat larger than the indicated values.

Unr				Date	05.08.2016	Details for machine dimension drawing	
				Name	Neibert		
				Checked.	Kan Zhu		
				I DT SEDL P3		Type 1RN1 564-2HJ90-Z	
AB		05.08.2016	Kan Zhu	Siemens Ltd. SEDL		Ident-No 3003560059/001000-M017	
Index	Text	Date	Name	WORD-Textgenerator V.1.0.0			

润滑油 / Lubrication oil DIN 51517 – CL		46	
粘度等级 / Class of viscosity ISO VG		46	
甩油环润滑 Oil ring lubrication 不允许 non-permissible	润滑油用量	驱动端轴承 / D-end bearing apt.	- l
	Oil content	非驱动端轴承 / N-end bearing apt.	- l
循环油润滑 Circulation oil lubrication	润滑油流量	驱动端轴承 / D-end bearing	4 l/min
	Oil-flow rate	非驱动端轴承 / N-end bearing	4 l/min
仅在停机时更换润滑油			
Oil changing during standstill only			

CEZ3070

- OZ** Oil inlet:
OZ.1 Flange ANSI-B16.5- ½ - 150 lbs - RF
OA Oil outlet:
OA.1 Flange ANSI-B16.5- 1 ½ - 150 lbs - RF
OA.2 Sight glass

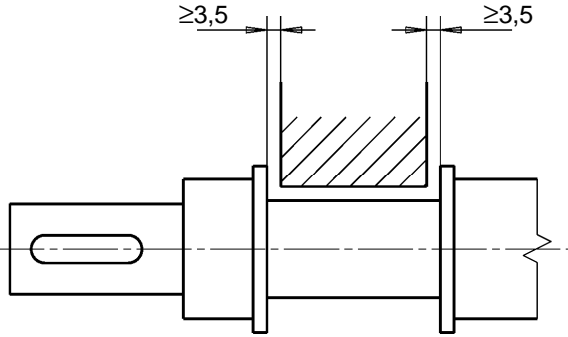
Oil inlet and oil outlet with counter flange
 Manufacturer AMV
 Material stainless steel

Unr				Date	05.08.2016	Details for machine dimension drawing	
				Name	Neibert		
				Checked.	Kan Zhu		
				I DT SEDL P3			Type 1RN1 564-2HJ90-Z
				Siemens Ltd. SEDL		Ident-No 3003560059/001000-M018	
AB		05.08.2016	Kan Zhu				
Index	Text	Date	Name	WORD-Textgenerator V.1.0.0			

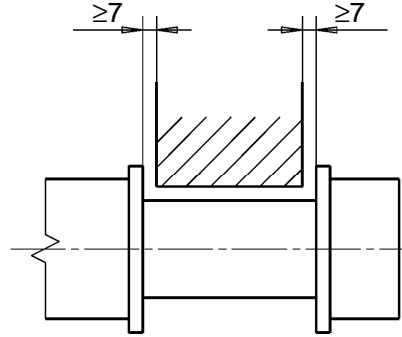
Axial clearance of bearing

- ① The DE bearing is a floating bearing, the rotor of machine have to be axially restrained by a guide bearing in the driven machine or gearing.
- ☞ Therefore it is a requirement that only a coupling with a rigidly limited axial clearance ($\pm 0.5 \dots \pm 2.4 \text{ mm}$) is provided!

Floating bearing DE ①



Floating bearing NDE



B10970

- ☞ An axial force of max. 0.43 kN has to be considered!

Unr				Date	05.08.2016	Details for machine dimension drawing Type 1RN1 564-2HJ90-Z
				Name	Neibert	
				Checked.	Kan Zhu	
				I DT SEDL P3		
				Siemens Ltd. SEDL		Ident-No 3003560059/001000-M019
AB		05.08.2016	Kan Zhu			
Index	Text	Date	Name	WORD-Textgenerator V.1.0.0		

11 Slide bearing NDE

Manufacturer RENK
 Type of bearing EFkZLB 14-140 00---- 10-160
 Type of lubrication, type of oil and quantity of oil according to instructions or lubricating data plate

☞ Further details see technical instructions for operation and maintenance of manufacturer

☞ Delivery without oil !

Pressure at oil inlet into bearing (OZ) max. 0.05 MPa

☞ Lowest permissible oil temperature +5°C

☞ The bearing is installed insulated.

Insulation shall not be bridged during operation !

OZ Oil inlet:
 OZ.1 Flange ANSI-B16.5- ½ - 150 lbs - RF
OA Oil outlet:
 OA.1 Flange ANSI-B16.5- 1 ½ - 150 lbs - RF
 OA.2 Sight glass

Oil inlet and oil outlet with counter flange
 Manufacturer AMV
 Material stainless steel

Unr				Date	05.08.2016	Details for machine dimension drawing Type 1RN1 564-2HJ90-Z
				Name	Neibert	
				Checked.	Kan Zhu	
				I DT SEDL P3		
				Siemens Ltd. SEDL		Ident-No 3003560059/001000-M020
AB		05.08.2016	Kan Zhu			
Index	Text	Date	Name	WORD-Textgenerator V.1.0.0		