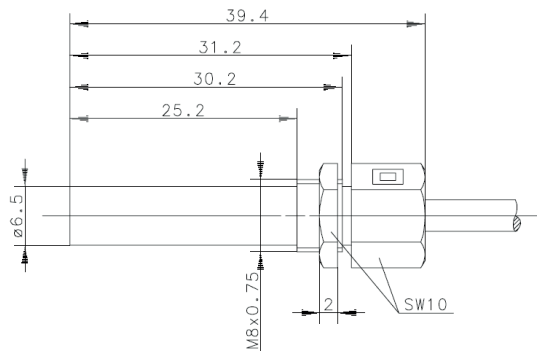
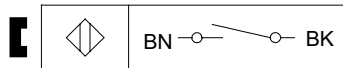


## Magnetic Switch Series MAK-46

Description **MAK-4612-F-2**

Article number **6310246723**

### Wiring diagram



### Technical data

Switching function	N.O.	
Reference magnet	T-62 N/S	
Assured operating distance - ON	$S_{ao}$	20 mm
Assured operating distance - OFF	$S_{ar}$	40 mm
Repeat accuracy	R	± 0,1 mm, under same geometrical conditions at the same temperature

### Electrical data


Max. voltage	250 V AC / DC	
Max. switching current	1 A	
Max. switching capacity	100 VA	
Protection class acc. to EN 61140	II (totally insulated)	
Note	Combinations of switching voltage and switching current must not exceed the maximum switching capacity.	

### Mechanical data

Enclosure	PA 6, red	
Temperature range	-5 °C ... +70 °C -20 °C ... +70 °C (fixed cable)	
Mechanical life	3 x 10 <sup>8</sup> operating cycles	
Shock	50 g (11 ms / ½ Sinewave)	
Vibration	20 g (10 - 2000 Hz)	
Protection type	IP67 acc. EN 60529	
Termination type	Cable 2 x AWG26 x 2 m ± 5 %; PVC -outer jacket black	
Assembly position	optional (assembly on ferromagnetic material means reduction of switch distance)	

Standards	
	EN 60947-5-1
	EN 62246-1

EU Conformity	
	acc. to directive 2014/35/EU (Low-Voltage-Directive)

Approvals	
	
	UL Listed, Ind. Cont. Eq. / Class 2 Power source
	<b>Note limited electrical data:</b>
	max. switching voltage 30 V AC / 60 V DC
	max. switching current 1 A
	max. switching capacity 60 VA

Notes	
	Contact protection must be provided for inductive and capacitive loads.