

# EMI/EMC FILTER

## TB6 SERIES



### FEATURES

- 3-Phase Filters(Potted with Epoxy Resin)
- Remarkable attenuation for high voltage impulse
- Good shield effect by using metal case.
- Excellent filtering characteristics for both differential mode and common mode.
- Safety : ENEC,CE,SEMKO

### APPLICATIONS

- Industrial equipment such as CNC Machine, Inverter, Converter, Telecommunication equipments, FA equipments, Elevator.

### SPECIFICATIONS

Model	Rated Voltage AC [V]	Rated Current[A]	Voltage Drop Max [V] (Each Phase)	Temperature Rise [°C]
TB6-B006NBDC	3ΦX 440	6	1.0	50
TB6-B010NBDC		10		
TB6-B010LBEI		16		
TB6-B016NBDC		20		
TB6-B020NBDC		30		
TB6-B030NBDC		40		
TB6-B040As		60		
TB6-B040A2		80		
TB6-B060LAs		100		
TB6-B060LA1		150		
TB6-B080LAs		200		
TB6-B080LA1		250		
TB6-B100LAs		400		
TB6-B100LA1				
TB6-B150LAs				
TB6-B150LA1				
TB6-B200LBs				
TB6-B200LB1				
TB6-B250LBs				
TB6-B250LB1				
TB6-B400LBs				
TB6-B400LB1				

- Many variations in X and Y capacitor value are available with approvals.  
TB6-B\*\*\*\*\*1 : Standard Type.(Y Capacitor Value 10,000pF) & TB6-B\*\*\*\*\*s : Used for CNC Machines.  
TB6-B010~B030N(L)BDC : \*Used for Servo Driver System.  
For the details, consult with local agent.

Note: Test Voltage: 3000V DC for 1 minute, line to earth  
 2100V DC for 1 minute, line to line (without Resistor)  
 Insulation Resistance: 300 MΩ minimum at 100V DC, line and ground.  
 Weight: 1.3Kg for TB6-B006\*\*/B010\*\*/B016\*\*/B020\*\*/B030\*\*  
 2,2Kg for TB6-B040A\*  
 4.5Kg for TB6-B060LA\*/B080LA\*  
 4.3Kg for TB6-B100LA\*  
 6.0Kg for TB6-B150LA\*  
 8.2/8.5Kg for TB6-B200LB\*/B250LB\*  
 12.2Kg for TB6-B400LB\*  
 Ambient Temperature Range: -25°C to +50°C max  
 Storage Temperature Range: -25°C to +100°C

■ Model Number Construction

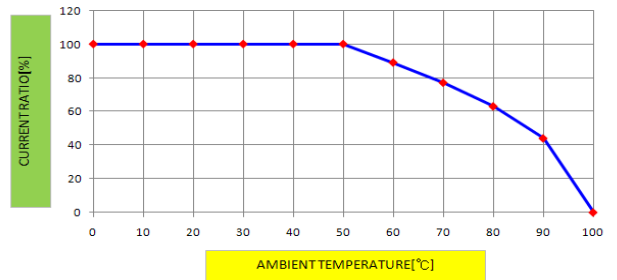
TB6-  
 |  
 Series name  
 (3Phase, 3Line Filter)

B  
 |  
 Input/Output  
 (B = Terminal Block)

030  
 |  
 Rated Current  
 030 = 30 A  
 080 = 80 A  
 150 = 150A

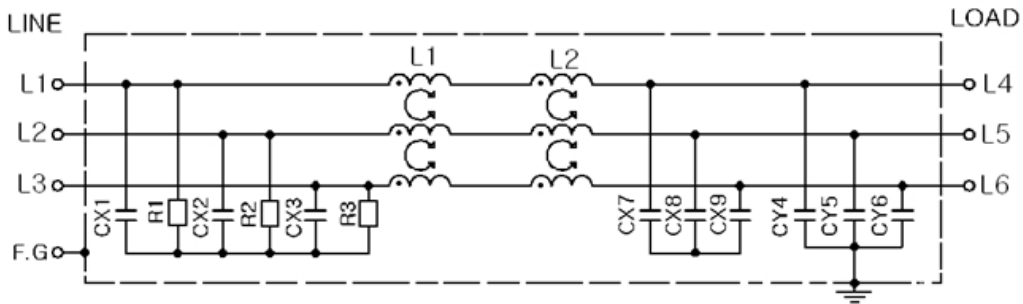
LA  
 |  
 Circuit Stage  
 LA = 1 Stage  
 LB = 2 Stage

Derating curve

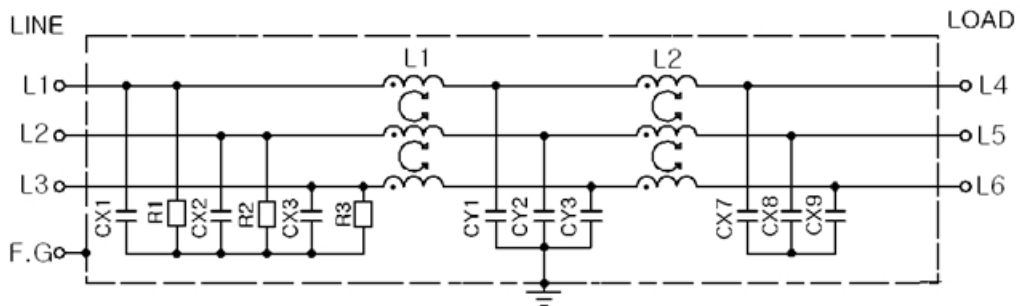


● Circuit Diagram

Only TB6-B010LBEI



TB6-B006NBDC~TB6-B030NBDC



TB6-B040A\*

