

APPLICATION:

Multi-cell scales

CAPACITY RANGE:

15kg - 25kg - 30kg - 50kg - 75kg -
100kg - 150kg - 300kg - 200kg - 250kg
- 500kg - 750 kg - 1000kg - 1500 kg

MATERIAL:

Stainless Steel

ENVIRONMENTAL PROTECTION:

IP68

APPROVALS:

According to OIML R60

CHARACTERISTICS

Construction using stainless steel.
The laser soldered closing protects
from the typical environment in food
and chemical industry.
Mounting compatibility.

APPLICATIONS

The CFSIF model is manufactured
to maintain its performance
capabilities in the environmental
conditions existing in industries,
where tasks and cleaning demand a
good environmental protection.

OPTIONS

Length of the cable is optional.

Hostile environmental cable.

ATEX option

EC-Type examination certificate

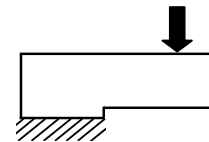
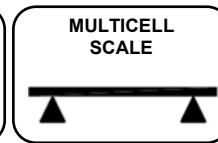
CEC 11 ATEX 040 X according
directive 94/9/EC

Ex II 1G EEExia IIC T6 (Ta-20÷+40°C)
TX (Ta-20÷+65°C)

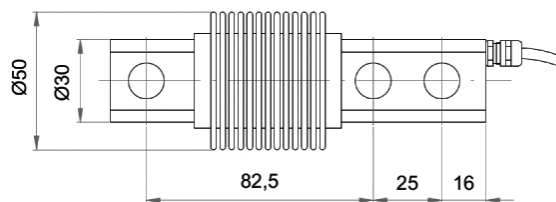
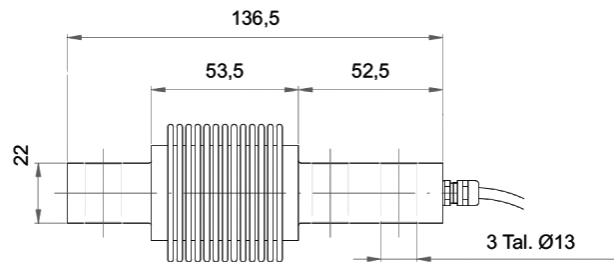
Ex II 1D tD A20 TX°C (Ta-20÷+40°C)
TX°C (Ta-20÷+65°C)

For more information look up the EC-
type examination certificate, and
documentation.

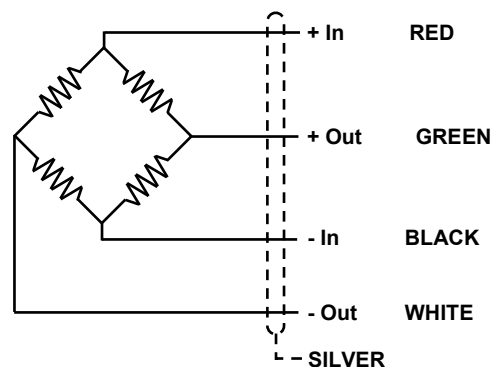
Consult for special requirements.



TEFLÓN® protects all the internal cables



Dimensions in mm



GENERAL TECHNICAL CHARACTERISTICS FOR $g= 9,8031 \text{ m/ s}^2$

OIML Class	C3	UNITS
Divisions n_{LC}	3000	
Minimum Dead load E_{min}	0	kg
$Z= E_{max} / 2DR$	3000	
$Y= E \text{ max.} / V_{min.}$	10000	
Rated Capacity E_{max}	15 - 25 - 30 - 50 - 75 - 100 - 150 - 200 - 250 - 300 - 500 - 750 - 1000 - 1500	kg
Rated Sensitivity C	$2 \pm 0,1 \%$	mV/V
Rated Input Voltage	10	V dc
Input Voltage Range	5...15	V ac/dc
Input Resistance R_{LC}	350 ± 5	Ω
Output Resistance	350 ± 4	Ω
Zero Balance	± 2	% Emax
Insulation Resistance at 50 V DC	> 5000	M Ω
Service Overload	> 150	% Emax
Overload Limit	> 300	% Emax
Temperature Range : Compensated	- 10 ... 40	$^{\circ}\text{C}$
: Operating	- 30 ... 85	$^{\circ}\text{C}$
: Storage	- 30 ... 90	$^{\circ}\text{C}$
Max. Nonlinearity	0,02	% Emax
Max. Hysteresis	0,02	% Emax
Max. No repeatability	0,01	% Emax
M Max. Creep in 4 hours	0,03	% Emax
Max. Zero Recovery Test in 1/2 hour	0,011	% Emax
Max Temperature effect : On Sensitivity	0,0013	% Emax / $^{\circ}\text{C}$
: On Zero	0,0014	% Emax / $^{\circ}\text{C}$
Weight	800	g
Cable Length	5	m
Environmental Protection	IP68 - DIN 40050 (100h 1m)	

