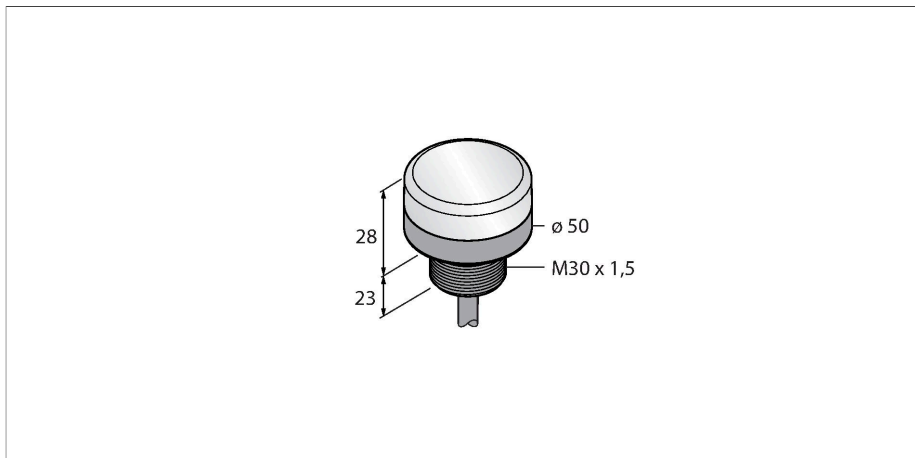


# WL50SGL11

## Work Light – Spotlight



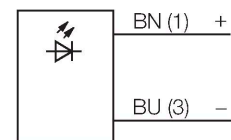
### Technical data

Type	WL50SGL11
ID	3018760
<b>Signal and display data</b>	
Purpose	LED work light
Function	Spotlight
Light type	Green
Luminous flux lumen	200 lm
Aperture angle degree	11 °
Beam angle	11°
LED service life (L70)	50000 h
Dimmable	no
Features of color 1	Green, Permanently on, 200 lm
Special features	Wash down
<b>Electrical data</b>	
Operating voltage	12...30 VDC
DC rated operational current	≤ 400 mA
Input power	1.7 W
<b>Mechanical data</b>	
Cascadable	No
Design	Puck, WL50S
Dimensions	Ø 50 x 51 mm
Housing material	Metal, AL, Black
Window material	Polycarbonate, clear
Electrical connection	Cable, 2 m, PVC
Number of cores	2
Ambient temperature	-20...+50 °C

### Features

- Operating voltage: 12...30 VDC
- Protection class: IP69K
- Metal housing
- Color green
- Cable, 2m

### Wiring diagram



### Functional principle

The energy-efficient LED work lights are ideally suited for industrial applications. The rugged IP69K protected versions can be used in many demanding applications where bright and uniform illumination is required. The electrical connection is either established via standard M12x1 connector or pigtail directly at the clamp connection of existing installations. On some models the light output is continuously dimmable via a PWM signal on pin 4.

## Technical data

Storage temperature	-40...+70 °C
Relative humidity	0...95 %
Protection class	IP67 IP69
<b>Tests/approvals</b>	
Approvals	CE