

NUTPLATES WITH COUNTERBORED NUTS OTHER THAN STANDARD (DASH 2) ARE MARKED WITH A COLOR CODED DASH NUMBER ON TOP OF THE DOME.
NUTPLATE MEETS THE STRENGTH REQUIREMENTS OF NASM25027.

THREAD T
THREAD PER MIL-S-8879.
RADIAL FLOAT OF NUT ELEMENT .020 MIN. FROM CENTER LINE IN ANY DIRECTION. THREAD LOCK PER NASM25027.
NOTE: ALL DIMENSIONS BEFORE PAINT.

NUTPLATE ATTACHED BY ADHESIVE APPLIED TO THIS SURFACE.
DISPOSABLE ELASTIC FIXTURE HOLDS NUTPLATE WHILE ADHESIVE CURES.

PART NUMBER	THREAD T	A MAX	B MAX	C MAX	D MIN	F MAX	H MAX	R MIN	M MIN	COLOR CODE
CB6010 () 08-2	.1640-32 UNJC-3B	.995	.580	.687	.204	.800	.325	.125	.168	NONE
CB6010 () 3-2	.1900-32 UNJF-3B	.995	.580	.687	.230	.800	.320	.125	.194	NONE
CB6010 () 3-3							.383	.187		RED
CB6010 () 3-4							.445	.250		GREEN
CB6010 () 3-5							.508	.312		BLACK
CB6010 () 3-6							.570	.375		BLUE
CB6010 () 3-7							.633	.437		ORANGE
CB6010 () 3-8							.695	.500		PURPLE
CB6010 () 4-2	.2500-28 UNJF-3B	1.100	.725	.765	.290	.950	.365	.125	.254	NONE
CB6010 () 4-3							.428	.187		RED
CB6010 () 4-4							.490	.250		GREEN
CB6010 () 4-5							.553	.312		BLACK
CB6010 () 4-6							.615	.375		BLUE
CB6010 () 4-7							.678	.437		ORANGE
CB6010 () 4-8							.740	.500		PURPLE
CB6010 () 5-2	.3125-24 UNJF-3B	1.200	.807	.825	.353	1.050	.406	.125	.317	NONE
CB6010 () 5-3							.462	.187		RED
CB6010 () 5-4							.524	.250		GREEN
CB6010 () 5-5							.586	.312		BLACK
CB6010 () 5-6							.649	.375		BLUE
CB6010 () 5-7							.711	.437		ORANGE
CB6010 () 5-8							.774	.500		PURPLE
CB6010 () 6-2	.3750-24 UNJF-3B	1.45	.990	.950	.415	1.24	.430	.125	.379	NONE
CB6010 () 7-2	.4375-20 UNJF-3B	1.69	1.11	1.10	.478	1.47	.560	.125	.441	NONE
CB6010 () 8-2	.5000-20 UNJF-3B	1.95	1.24	1.15	.540	1.70	.640	.125	.504	NONE

UNLESS OTHERWISE SPECIFIED, ALL DIMENSIONS ARE IN INCHES AND TOLERANCES ARE AS SHOWN BELOW. DIMENSIONAL TOLERANCES AND SYMBOLS PER ANSI Y14.5M-1982.

PROPRIETARY PARTS SHOWN IN THIS DRAWING ARE THE SUBJECT OF ISSUED UNITED STATES AND FOREIGN PATENTS AND PATENTS PENDING. UNAUTHORIZED REPRODUCTION AND/OR DISTRIBUTION OF THIS DRAWING IS SPECIFICALLY PROHIBITED.

GLICK BOND

CARSON CITY
NEVADA 89706

CAD CB6010-1		APPROVALS		DATE	TITLE			
ANGLES	±1°	DRAWN	DAC	14FEB03	NUTPLATE, FLOATING, SEALED			
.XX	±.03	CHECKED	DOC/mtm	14FEB03	SIZE	CAGE CODE	DWG. NO.	REV.
.XXX	±.010	RELEASED	CGH	14FEB03	A	66530	CB6010	7
.XXXX	±.001	REVISED	DAC	14FEB03	SCALE	1/1	22NOV96	14FEB03
							SHEET	1 OF 4

PART NUMBER	THREAD T	A MAX	B MAX	C MAX	D MIN	F MAX	H MAX	R MIN	M MIN	COLOR CODE
CB6010 () 9-2	.5625-18 UNJF-3B	2.18	1.37	1.40	.603	1.90	.700	.125	.568	NONE
CB6010 () 10-2	.6250-18 UNJF-3B	2.43	1.55	1.55	.665	2.11	.765	.125	.630	NONE
CB6010 () 12-2	.7500-16 UNJF-3B	2.91	1.86	1.75	.790	2.47	.890	.125	.755	NONE
CB6010 () 14-2	.8750-14 UNJF-3B	3.15	2.17	1.90	.915	2.79	1.00	.125	.880	NONE
CB6010 () 16-2	1.0000-12 UNJF-3B	3.86	2.48	2.00	1.040	3.36	1.13	.125	1.005	NONE

MATERIAL AND FINISH DATA

CODE	NUT MATERIAL	SPEC.	FINISH	SPEC.	DRI-FILM LUBE
-	A-286 CRES	AMS 5525, 5726, 5731, 5732, 5737	PASSIVATE	QQ-P-35	MIL-L-46010 TY 1
CRC			CAD PLATE	QQ-P-416 TY II, CL 2	

CODE	WASHER MATERIAL	SPEC.	FINISH	SPEC.
CR	A-286 CRES	AMS 5525, 5726, 5731, 5732, 5737	PASSIVATE	QQ-P-35
ACR				

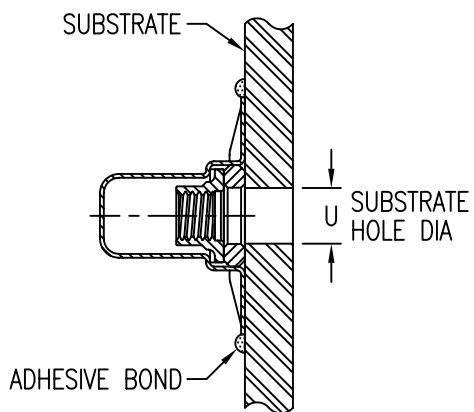
CODE	BASEPLATE PRIMER	SPEC.
P	EPOXY PRIMER	MIL-P-85582

OPTIONAL PRIMER

CODE	BASEPLATE PRIMER	SPEC.
P	EPOXY PRIMER	MIL-P-85582

OPTIONAL TOPCOAT

CODE	SPEC.
F	MIL-C-27725 TY 2 CL B YELLOW

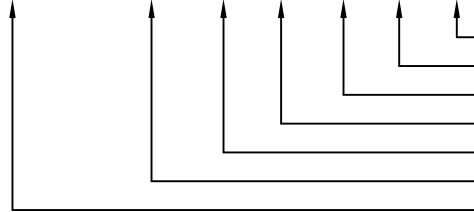


INSTALLATION HOLE SIZE

THREAD CODE	U MAX
08	.204
3	.230
4	.290
5	.353
6	.415
7	.478
8	.540
9	.603
10	.665
12	.790
14	.915
16	1.040

EXAMPLE PART NUMBER

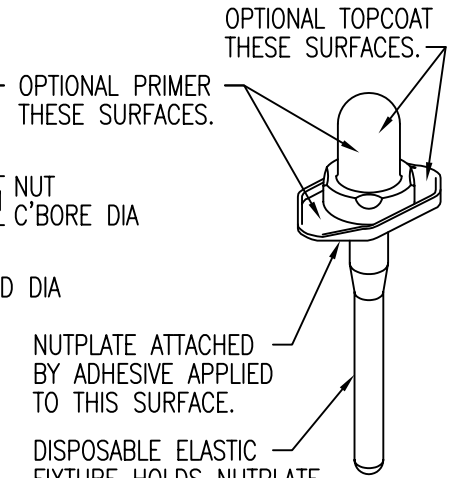
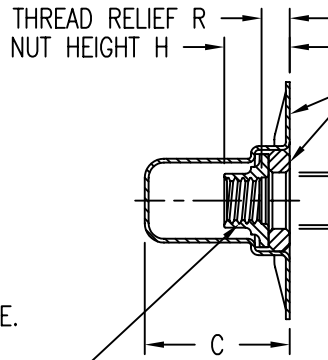
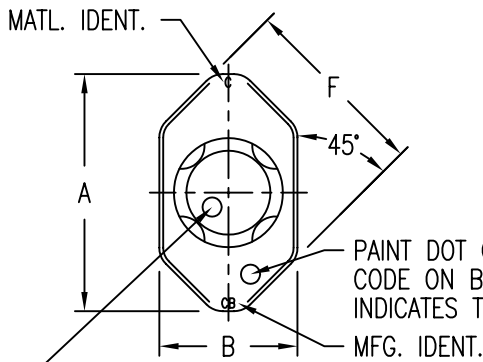
CB6010 CR 4 - 2 P F



"NL" SUFFIX TO PART NUMBER INDICATES NON-LOCKING NUT ELEMENT.

- OPTIONAL TOPCOAT ON DOME
- OPTIONAL PRIMER ON BASEPLATE
- NUT THREAD RELIEF R - .125 MIN
- NUT MATERIAL - A-286 CRES, DRI-FILM LUBE
- THREAD SIZE - .2500-28 UNJF-3B
- DOME AND WASHER MATERIAL - A-286 CRES
- BASIC PART NUMBER

UNLESS OTHERWISE SPECIFIED, ALL DIMENSIONS ARE IN INCHES AND TOLERANCES ARE AS SHOWN BELOW. DIMENSIONAL TOLERANCES AND SYMBOLS PER ANSI Y14.5M-1982.	PROPRIETARY PARTS SHOWN IN THIS DRAWING ARE THE SUBJECT OF ISSUED UNITED STATES AND FOREIGN PATENTS AND PATENTS PENDING. UNAUTHORIZED REPRODUCTION AND/OR DISTRIBUTION OF THIS DRAWING IS SPECIFICALLY PROHIBITED.		GLICK BOND		CARSON CITY NEVADA 89706	
	CAD CB6010-2	APPROVALS	DATE	TITLE NUTPLATE, FLOATING, SEALED		
ANGLES ±1°	DRAWN DAC	15NOV01	SIZE A	CAGE CODE 66530	DWG. NO. CB6010	REV. 7
.XX ±.03	CHECKED <i>[Signature]</i>	15NOV01	SCALE 1/1	18NOV96	15NOV01	SHEET 2 OF 4
.XXX ±.010	RELEASED CGH	16NOV01				
.XXXX ±.001	REVISED DAC	15NOV01				



PAINT DOT COLOR CODE ON BASEPLATE INDICATES THREAD SIZE.

THREAD T
 THREAD PER ISO5855.
 RADIAL FLOAT OF NUT ELEMENT 0,5 MIN. FROM CENTER LINE IN ANY DIRECTION. THREAD LOCK BY ELLIPTICAL DEFORMATION.

NUTPLATE ATTACHED BY ADHESIVE APPLIED TO THIS SURFACE.

DISPOSABLE ELASTIC FIXTURE HOLDS NUTPLATE WHILE ADHESIVE CURES.

NUTPLATES WITH COUNTERBORED NUTS OTHER THAN STANDARD (DASH 3) ARE MARKED WITH A COLOR CODED DASH NUMBER ON TOP OF THE DOME.

NUTPLATE MEETS THE TENSILE STRENGTH REQUIREMENTS OF ISO5858 (900 MPa).

NOTE: ALL DIMENSIONS BEFORE PAINT.

PART NUMBER	THREAD T	A MAX	B MAX	C MAX	D MIN	F MAX	H MAX	R MIN	M MIN	COLOR CODE	
										THREAD	C'BORE
CB6010 () 4M 3	MJ4 X 0,7 4H6H	25,3	14,8	17,5	5,0	20,4	7,0	3,0	4,1	GREEN	NONE
CB6010 () 5M 3	MJ5 X 0,8 4H6H	25,3	14,8	17,5	6,0	20,4	8,0	3,0	5,1	BLUE	NONE
CB6010 () 5M 4							8,0	4,0			RED
CB6010 () 5M 6							10,0	6,0			GREEN
CB6010 () 5M 8							12,0	8,0			BLACK
CB6010 () 5M 10							14,0	10,0			BLUE
CB6010 () 6M 3	MJ6 X 1,0 4H5H	28,0	18,5	19,5	7,0	24,2	9,0	3,0	6,1	ORANGE	NONE
CB6010 () 6M 4							9,0	4,0			RED
CB6010 () 6M 6							11,0	6,0			GREEN
CB6010 () 6M 8							13,0	8,0			BLACK
CB6010 () 6M 10							15,0	10,0			BLUE
CB6010 () 8M 3	MJ8 X 1,0 4H5H	30,5	20,5	21,0	9,0	26,7	11,0	3,0	8,1	PURPLE	NONE
CB6010 () 8M 4							11,0	4,0			RED
CB6010 () 8M 6							13,0	6,0			GREEN
CB6010 () 8M 8							15,0	8,0			BLACK
CB6010 () 8M 10							17,0	10,0			BLUE

UNLESS OTHERWISE SPECIFIED, ALL DIMENSIONS ARE IN MILLIMETERS AND TOLERANCES ARE AS SHOWN BELOW. DIMENSIONAL TOLERANCES AND SYMBOLS PER ANSI Y14.5M-1982.

PROPRIETARY PARTS SHOWN IN THIS DRAWING ARE THE SUBJECT OF ISSUED UNITED STATES AND FOREIGN PATENTS AND PATENTS PENDING. UNAUTHORIZED REPRODUCTION AND/OR DISTRIBUTION OF THIS DRAWING IS SPECIFICALLY PROHIBITED.

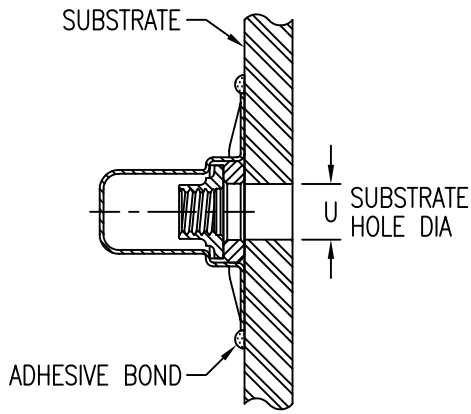
GLICK BOND

CARSON CITY
 NEVADA 89706

CAD CB6010-3 METRIC DIMENSIONS	
ANGLES	±1°
.X	±0,8
.XX	±0,25

APPROVALS	DATE
DRAWN <i>DAC</i>	15NOV01
CHECKED <i>DOC/mtm</i>	15NOV01
RELEASED <i>CGH</i>	16NOV01
REVISED <i>DAC</i>	15NOV01

TITLE NUTPLATE, FLOATING, SEALED			
SIZE A	CAGE CODE 66530	DWG. NO. CB6010 (METRIC)	REV. 7
SCALE 1/1	22NOV96	15NOV01	SHEET 3 OF 4



INSTALLATION HOLE SIZE

THREAD SIZE CODE	U MAX
4M	5,0
5M	6,0
6M	7,0
8M	9,0

MATERIAL AND FINISH DATA

CODE	NUT MATERIAL	SPEC.	FINISH	SPEC.	DRI-FILM LUBE
NONE	A-286 CRES	AMS 5525, 5726, 5731, 5732, 5737	PASSIVATE	QQ-P-35	MIL-L-46010 TY 1
CRC			CAD PLATE	QQ-P-416 TY II, CL 2	

CODE	DOME MATERIAL	SPEC.	FINISH	SPEC.
CR	A-286 CRES	AMS 5525, 5726, 5731, 5732, 5737	PASSIVATE	QQ-P-35
ACR				

CODE	WASHER MATERIAL	SPEC.	FINISH	SPEC.
CR	A-286 CRES	AMS 5726, 5731, 5732, 5737	PASSIVATE	QQ-P-35
ACR	2024 OR 6061 ALUMINUM	QQ-A-200 OR QQ-A-225	ANODIZE	MIL-A-8625

OPTIONAL PRIMER

CODE	BASEPLATE PRIMER	SPEC.
P	EPOXY PRIMER	MIL-P-85582

OPTIONAL TOPCOAT

CODE	SPEC.
F	MIL-C-27725 TYP 2 CL B YELLOW

EXAMPLE PART NUMBER

CB6010 CR 6M 3 P F

"NL" SUFFIX TO PART NUMBER INDICATES NON-LOCKING NUT ELEMENT.

- OPTIONAL TOPCOAT ON DOME
- OPTIONAL PRIMER ON BASEPLATE
- NUT THREAD RELIEF R - 3,0 MIN
- NUT MATERIAL - A-286 CRES, DRI-FILM LUBE
- THREAD SIZE - MJ6 X 1,0 4H5H
- DOME AND WASHER MATERIAL - A-286 CRES
- BASIC PART NUMBER

UNLESS OTHERWISE SPECIFIED, ALL DIMENSIONS ARE IN MILLIMETERS AND TOLERANCES ARE AS SHOWN BELOW. DIMENSIONAL TOLERANCES AND SYMBOLS PER ANSI Y14.5M-1982.

PROPRIETARY PARTS SHOWN IN THIS DRAWING ARE THE SUBJECT OF ISSUED UNITED STATES AND FOREIGN PATENTS AND PATENTS PENDING. UNAUTHORIZED REPRODUCTION AND/OR DISTRIBUTION OF THIS DRAWING IS SPECIFICALLY PROHIBITED.

GLICK BOND

CARSON CITY
NEVADA 89706

CAD CB6010-4 METRIC DIMENSIONS	
ANGLES	±1°
.X	±0,8
.XX	±0,25

APPROVALS	DATE
DRAWN <i>DAC</i>	15NOV01
CHECKED <i>DAC/mtm</i>	15NOV01
RELEASED <i>CGH</i>	16NOV01
REVISED <i>DAC</i>	15NOV01

TITLE NUTPLATE, FLOATING, SEALED			
SIZE	CAGE CODE	DWG. NO.	REV.
A	66530	CB6010 (METRIC)	7
SCALE	1/1	22NOV96	15NOV01
SHEET 4 OF 4			