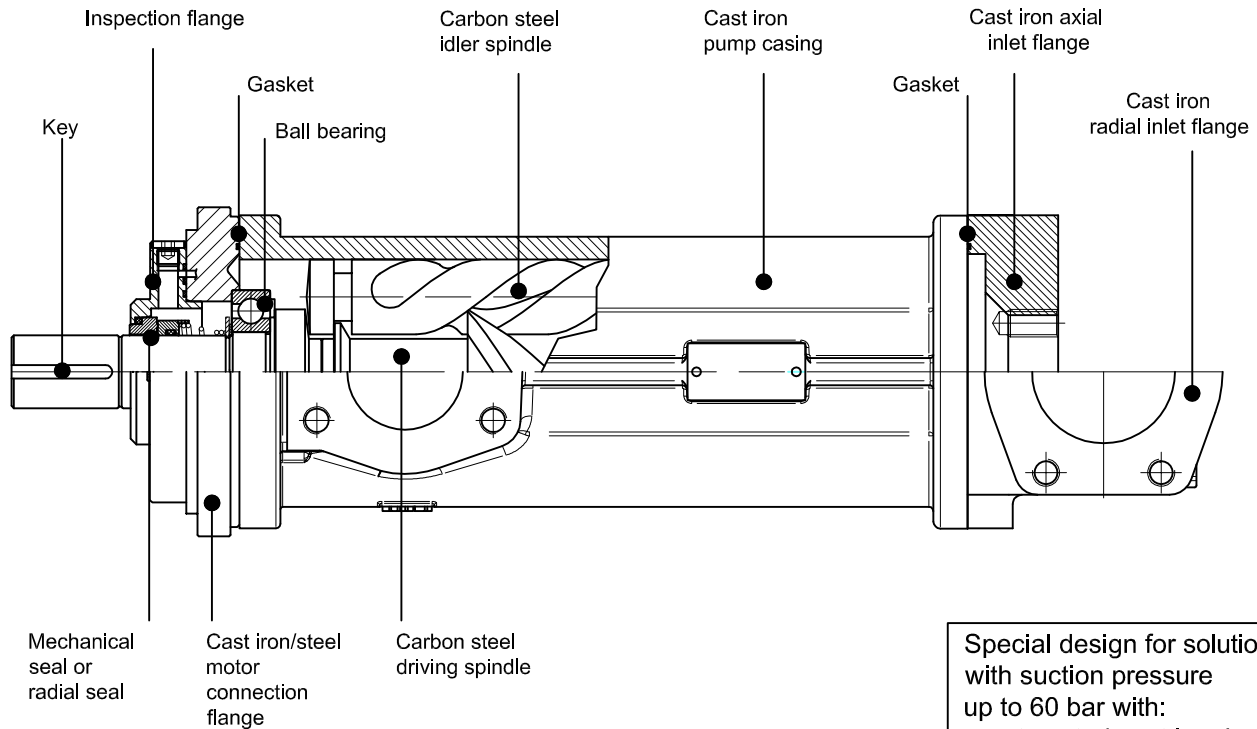


Screw pumps - PXFCR

For lubrication of cryogenic compressor.

Closed circuit with high suction pressure.

Admissible delivery pressure (continuous) = 30 bar at 2900 rpm.



Special design for solution with suction pressure up to 60 bar with:

- not casted cast iron body
- special mechanical seal
- special suction flange
- special body
- special inspection flange

Functional characteristic standard version

Delivery flow	80 to 1200 l/min (17.6 to 264 USGPM)	
Admissible delivery pressure*	up to 30 bar (435 psi)	
Admissible suction pressure	15 to 30 bar (217 to 435 psi)	For different values contact SEIM
Kinematic viscosity	3 to 400 cSt	For different values contact SEIM
Admissible temperature	0 to 120°C (32 to 248°F)	For different values contact SEIM
Driving speed	750 to 3600 rpm	
Average noise level	53 - 68 dB(A) at 2900 rpm according to pump dimension	
Recommended filtration	60 micron max, suction side (not abrasive contaminant) ISO4406 19 / 16 - NAS 10	
Direction of rotation	clockwise, as seen from the driving side	

* Reduced pressure limit apply due to fluid viscosity and driving speed.
Consult performance charts for the individual pump size.
For different functional characteristics, please contact our sales department.

Screw pumps - PXFCR

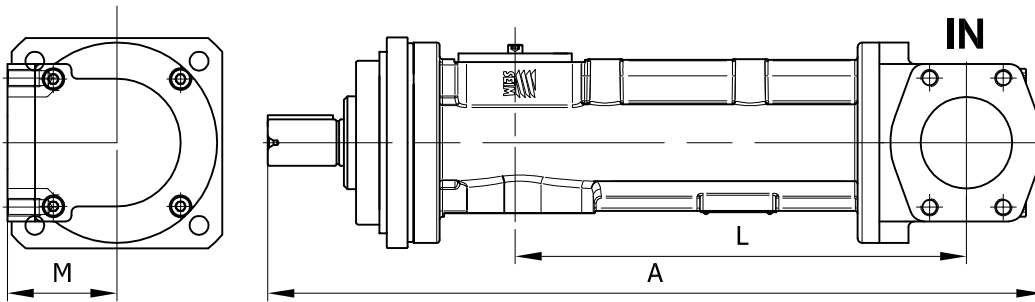
For lubrication of cryogenic compressor.

Closed circuit with high suction pressure.

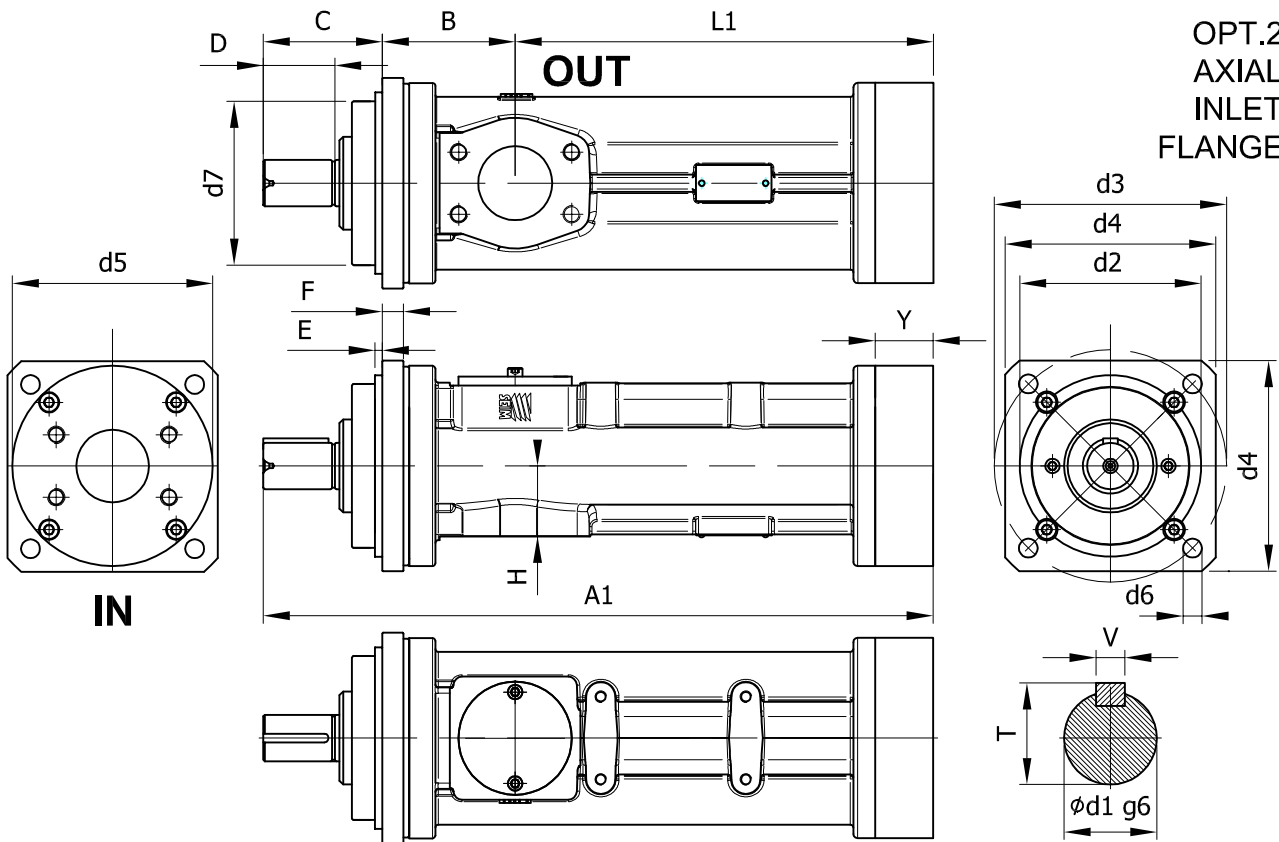
Admissible delivery pressure (continuous) = 30 bar at 2900 rpm.



OPT.1
RADIAL
INLET
FLANGE



OPT.2
AXIAL
INLET
FLANGE



SD - STE - PXFCR - ENG 03-15 - 0

Dimensional chart (mm)

MODELLO	A	A1	B	C	D	E	F	H	L	L1	M	SAE 3000		T	V	Inlet flange adjustable to 90° and 180°									
												IN	OUT			d1	d2	d3	d4	d5	d6	d7	Y		
(*) PXFCR045#4..	494	432	91,5	81	45	5	15	48,5	269	259	75,5	2 1/2"	2"	35	10	32	125	160	145	138	13	120	50		
(*) PXFCR055#4..	534	472	91,5	82	45	5	15	48,5	308	298	75,5	2 1/2"	2"	35	10	32	125	160	145	138	13	120	50		
PXFCR060#4..	631	527	88	84	45	5	18	73,5	386	355	100	4"	2 1/2"	35	10	32	160	200	195	174	18	155	50		
PXFCR072#4..	718	613	88	101	58	5	18	73,5	455	424	100	4"	2 1/2"	35	10	32	160	200	195	174	18	155	50		

(*) For motor GR 100 or 112 use the special bell housing KACR#100A33

SEIM srl
Via A. Volta 17
20090 Cusago (MI) ITALY
Tel. (+39) 02.90.39.21.1
Fax. (+39) 02.90.39.21.41
e-mail: seim@seim.it

Ask pumps drawing for all dimensional details.

www.seim.it

SEIM reserves the right to introduce dimensional changes or variation to the products of this technical data.