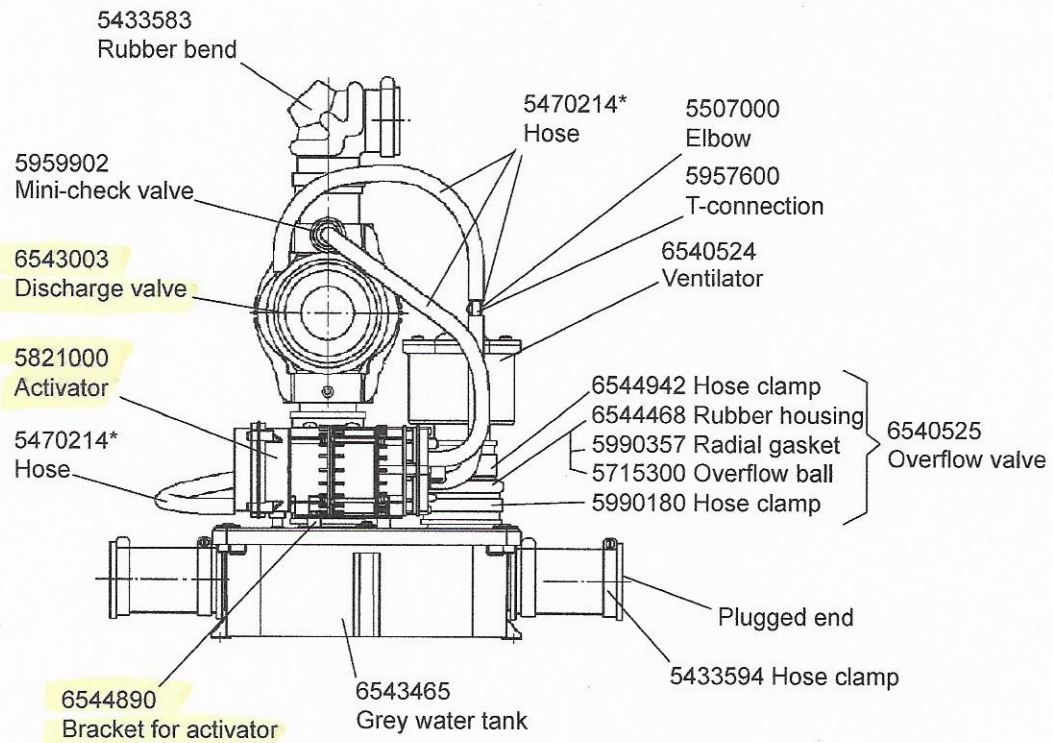


# VACUUM INTERFACE VALVE

6543469 VACUUM INTERFACE UNIT 2 L, CONNECTION DOWNWARDS / SIDEWARDS



\* All the hoses with Evac part number (P/N 5470214) are available in meters so please inform the length, when ordering.