

FAN COIL MOTOR IDENTIFICATION

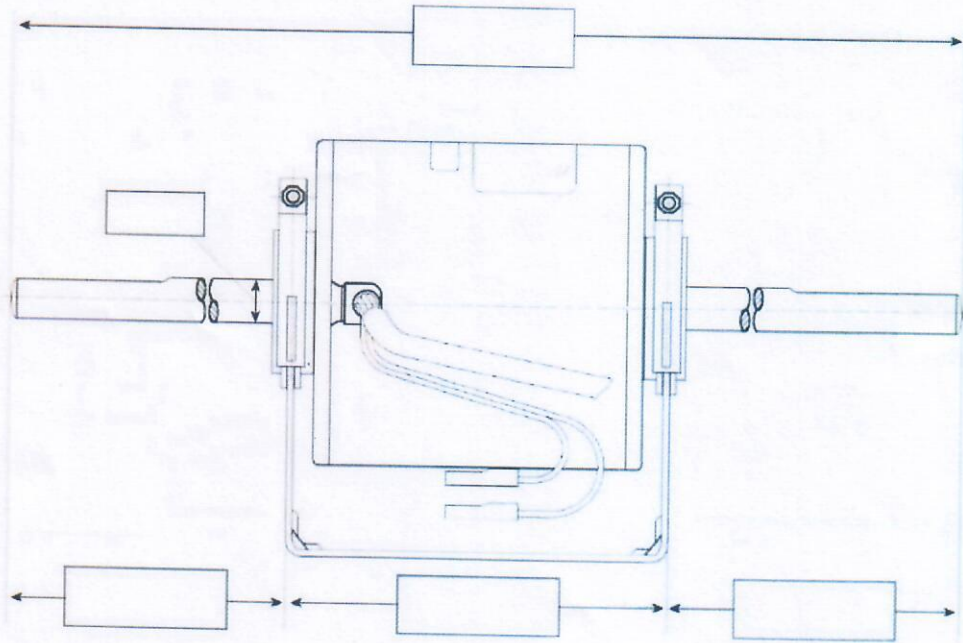
The following information will help us identify your requirements

Original Manufacturer

TRANE

Part Number

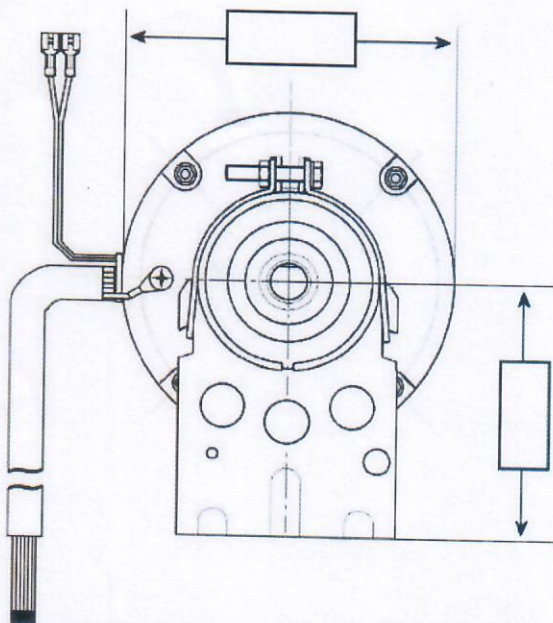
FGD-000* 31402363



If original motor is single shafted please indicate direction of rotation looking from the shaft end

CW

ACW



Motor Body Open Closed

Power (Watts)

Amps

RPM

Number of Speeds

Capacitor