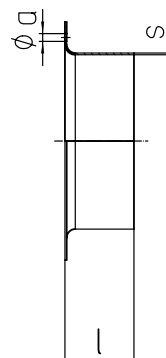
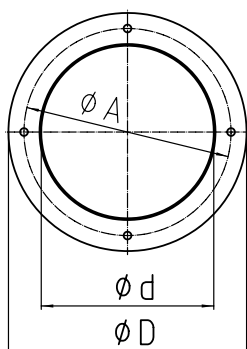
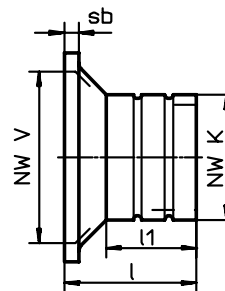
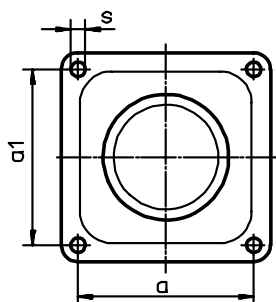
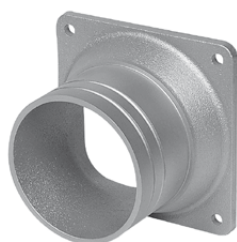


Saugstutzen (Blechdeckel, Epoxid beschichtet)
intake connector for tube connection (sheet cover, epoxid painted)


| Typ | A | Øa | D | d | l | s | Artikelnummer |
|-----------|-----|-----|-----|-----|----|-----|---------------|
| DN 8 | 120 | 4,5 | 131 | 80 | 40 | 1 | 192255 |
| DN 9 | 120 | 4,5 | 131 | 80 | 40 | 1 | 192255 |
| DN 10 | 120 | 4,5 | 138 | 100 | 23 | 1 | 192368 |
| DN 12 | 146 | 5,5 | 156 | 100 | 23 | 1 | 192486 |
| DN 13 | 148 | 4,5 | 158 | 119 | 40 | 1 | 192534 |
| DN 14 | 165 | 4,5 | 175 | 119 | 33 | 1 | 192629 |
| DN 16 | 188 | 5,5 | 200 | 140 | 43 | 1 | 192771 |
| DN 18 | 198 | 6,5 | 212 | 160 | 38 | 1 | 192875 |
| DN 20/90 | 226 | 6,5 | 240 | 180 | 38 | 1,5 | 192960 |
| DN 20/100 | 226 | 6,5 | 240 | 180 | 38 | 1,5 | 192960 |
| DN 22 | 259 | 6,5 | 280 | 180 | 45 | 1,5 | 193060 |
| DN 25 | 286 | 6,5 | 306 | 220 | 60 | 1,5 | 193148 |

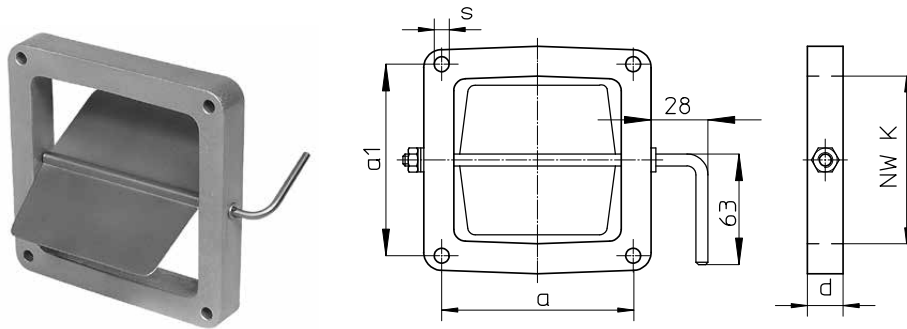
Druckstutzen
outlet connector for tube connection


| Ventilator-Größe Ventilator-Size | Nennweite Kundenseite NW K | Dietz Artikel- nummer | a [mm] | a1 [mm] | s [mm] | l ca. [mm] | l1 ca. [mm] | sb ca. [mm] |
|-------------------------------------|---|-----------------------------|-----------|------------|-----------|------------------|-------------------|-------------------|
| DN.../WN 10 | 96 | 192316 | 105 | 105 | 7 | 92 | 65 | 8 |
| DN.../WN 12 | 100 | 192391 | 110 | 110 | 7 | 92 | 65 | 8 |
| DN.../WN 13 | ohne Druckstutzen / No outlet connector | | | | | | | |
| DN.../WN 14 | 120 | 192649 | 140 | 140 | 9 | 90 | 65 | 10 |
| DN.../WN 16 | 114 | 192790 | 155 | 155 | 9 | 88 | 60 | 12 |
| DN.../WN 18 | 160 | 192883 | 175 | 175 | 9 | 88 | 60 | 12 |
| DN.../WN 20 | 165 | 192986 | 195 | 195 | 11 | 88 | 65 | 12 |
| DN.../WN 22 | 180 | 193086 | 160 | 220 | 11,5 | 118 | 75 | 12 |
| DN.../WN 25 | 200 | 193159 | 180 | 240 | 11,5 | 138 | 80 | 12 |

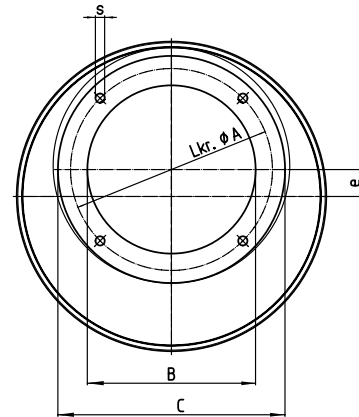
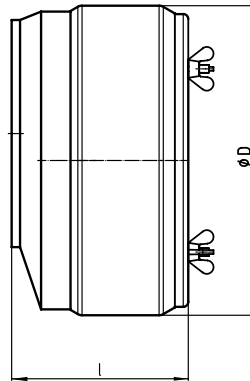
Accessories low pressure fans DN (WN)

Drosselklappen – Druckseite

Throttle valve – outlet



| Ventilator-Größe Ventilator-Size | Nennweite Kundenseite NW K | Dietz Artikel- nummer | a [mm] | a1 [mm] | s [mm] | d [mm] |
|-------------------------------------|----------------------------------|-----------------------------|-----------|------------|-----------|-----------|
| DN.../WN 8 | 60 | 192202 | 84 | 84 | 7 | 17 |
| DN.../WN 9 | 70 | 192272 | 95 | 95 | 7 | 17 |
| DN.../WN 10 | 96 | 192313 | 105 | 105 | 7 | 17 |
| DN.../WN 12 | 100 | 192390 | 110 | 110 | 7 | 17 |
| DN.../WN 13 | 112 | 192544 | 125 | 125 | 9 | 17 |
| DN.../WN 14 | 120 | 192647 | 140 | 140 | 9 | 27 |
| DN.../WN 16 | 114 | 192788 | 155 | 155 | 9 | 27 |
| DN.../WN 18 | 160 | 192882 | 175 | 175 | 9 | 27 |
| DN.../WN 20 | 165 | 192985 | 195 | 195 | 11 | 27 |
| DN.../WN 22 | 180 | 193085 | 160 | 220 | 11,5 | 27 |
| DN.../WN 25 | 200 | 193158 | 180 | 240 | 11,5 | 27 |

Rundfilter
cylindrical intake filter


| Typ Ventilator-Größe Fan-Size | A | B | C | Ø D | l | s | e | Dietz-Artikel-Nummer | Zwischen-ring | Ersatzfiltermatte (fein) Art.-Nr. spare filter mat | L x b [mm] |
|----------------------------------|-----|-----|-----|-----|-----|-----|----|----------------------|---------------|---|------------|
| DN 8 | 120 | 100 | 135 | 184 | 105 | 5,5 | 16 | 192242 | | 192251 | 543 x 85 |
| DN 9 | 120 | 100 | 135 | 184 | 145 | 5,5 | 16 | 192293 | | 192296 | 543 x 125 |
| DN 10 | 120 | 100 | 135 | 184 | 200 | 5,5 | 16 | 192363 | | 192366 | 543 x 185 |
| DN 12 | 146 | 125 | 168 | 231 | 230 | 5,5 | 20 | 192473 | | 192484 | 688 x 200 |
| DN 13 | 148 | 125 | 168 | 231 | 300 | 5,5 | 20 | 192526 | | 192532 | 688 x 270 |
| DN 14 | 165 | 150 | 185 | 277 | 340 | 5,5 | 24 | 192617 | | 192627 | 840 x 295 |
| DN 16 | 188 | 170 | 210 | 307 | 370 | 6,5 | 26 | 192758 | | 192769 | 927 x 305 |
| DN 18 | 198 | 184 | 220 | 335 | 490 | 6,5 | 28 | 192861 | | 192873 | 1015 x 425 |
| DN 20/90 | 226 | 205 | 250 | 387 | 500 | 6,5 | 35 | 192958 | | 192964 | 1178 x 435 |
| DN 20/100 | 226 | 205 | 250 | 387 | 800 | 6,5 | 35 | 193000 | | 193002 | 1178 x 735 |
| DN 22/112 | 286 | 270 | 315 | 447 | 690 | 6,5 | 45 | 193133 | 207203 | 193135 | 1288 x 455 |
| DN 25/112 | 286 | 270 | 315 | 447 | 530 | 6,5 | 45 | 193132 | | 193141 | 1366 x 565 |
| DN 25/132 | 286 | 270 | 315 | 447 | 690 | 6,5 | 45 | 193133 | | 193135 | 1366 x 615 |

Filtermaterial:

Filterklasse G3 DIN EN 779
Polyester-Wirrvlies 240 g/m² DIN EN 12127
100% feuchtbeständig
max. Temperatur 100 °C

Filter material:

Filter class G3 DIN EN 779
Polyester fleece 240 g/m² DIN EN 12127
100% wet resistant
max. temperature 100 °C

Schutzgitter Saugseite
wire mesh guard intake

| Typ Ventilator-Größe Fan-Size | Dietz-Artikel-Nummer |
|----------------------------------|----------------------|
| DN 8 | 192261 |
| DN 9 | 192261 |
| DN 10 | 192373 |
| DN 12 | 192497 |
| DN 13 | 192538 |
| DN 14 | 192639 |
| DN 16 | 192783 |
| DN 18 | 192881 |
| DN 20/90 | 192980 |
| DN 20/100 | 192980 |
| DN 22/112 | 193083 |
| DN 25/112 | 193151 |
| DN 25/132 | 193151 |

