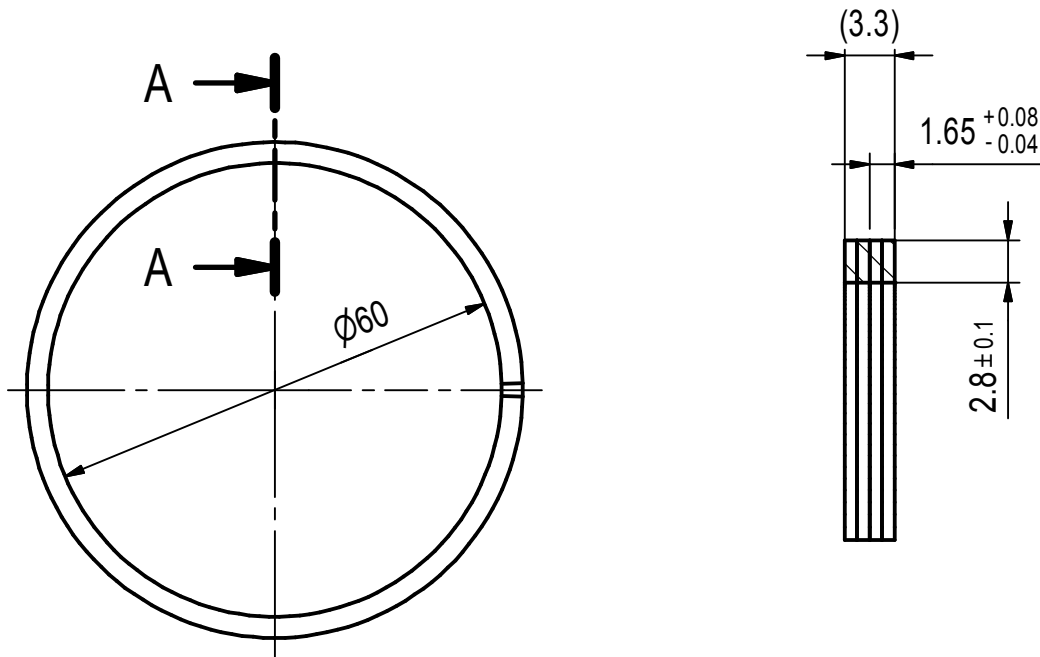


Section A-A



1	1	Laminar Ring	FK6-ISD ø60/2.8x1.65	1.4310 / X10CrNi18-8	0.014	KG	487262	10026066	1 Set = 2 ISD-Rings
Item	Qty	Description	Dimension	Basic Material	Weight	Ut.	MM-No.	DRW-No.	Norm/Remark

THIS DRAWING AND ALL INFORMATION THERE ON IS THE PROPERTY OF CONCAST AND IS CONFIDENTIAL AND MUST NOT BE MADE PUBLIC OR COPIED UNLESS AUTHORIZED BY CONCAST AND IS SUBJECT TO RETURN UPON DEMAND.
ALL RIGHTS RESERVED COPYRIGHT AS PER DRAWN DATE SHOWN IN DRAWING HEADER.

Standard Workshop Instructions 9800.4	ISO 128		Section	Weight	Main Scale	Format
			-	0.014 KG	1 : 1	A4

Laminar Ring	Replaced by		
	Released	13.01.2012	SCBR
	Approved	13.01.2012	SCBR
	Drawn	24.08.2011	SCBR

 SMS group	Document No.	10'026'066	Version	-
	Sheet: 1 of 1			
	Material No.	487262		