

HOTflow® Heating System CTM



Hotstart's CTM HOTflow® heating system is a coolant preheater, developed to maintain optimal temperatures for diesel and gas engines in stationary land power, marine, and construction equipment applications.



COMPACT CAPABILITY

Despite its small footprint, efficient forced circulation allows the CTM to heat engines up to 20 liters in displacement, allowing for a wide variety of small-engine applications.



VERSATILE & ADAPTABLE

The CTM can be configured for almost any weather-protected application. Multiple options are available, including UL/C-US listed and CE-compliant models.



EASY INSTALLATION

The CTM's inlet and outlet may be reoriented at 90° increments to accommodate heater plumbing. The included mounting kit is ideal for most installations; an optional vibration isolation kit is also available.

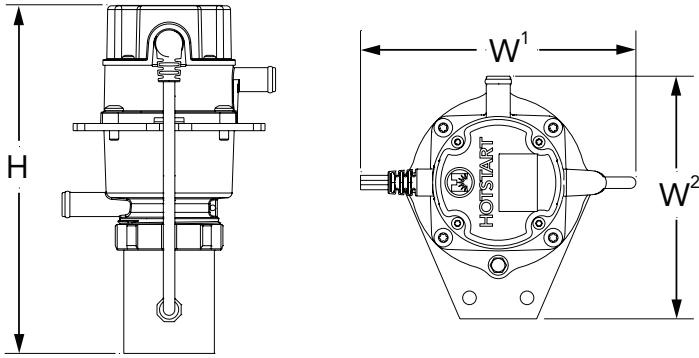


LOWER TOTAL COST OF OWNERSHIP

Forced circulation provides uniform heat throughout the engine, reducing component maintenance and offering significant energy savings. The CTM may reduce end-user utility costs by up to 35%¹.

¹ Savings are dependent on local utility rates and installation variables.





Height (H)	Width 1 (W ¹)	Width 2 (W ²)	Weight
9.1"	5.7"	6.3"	3.5 lbs
230 mm	145 mm	161 mm	1.6 kg

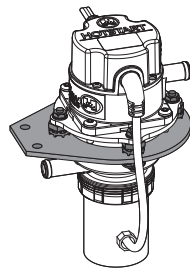
System	
Phase	single-phase (1 Ø)
Voltage (60 Hz)	120V 240V
Voltage (50 Hz)	240V
Ingress	IP44
Min./Max. Ambient Temp	-40 °F / 104 °F (-40 °C - 40 °C)
Application	for use in weather protected applications
Certification	UL/C-US recognized models available (E250789) CE-compliant models available

Coolant	
Fluid Type	Water Coolant mix (50% water/50% glycol)
Heat Power	1 kW 1.5 kW 2.5 kW
Temp. Control	Fixed, 100 – 120 °F (38 – 49°C)
Temp. High Limit	300 °F (149°C)
Flow	3.5 gpm @ 4 psi (13.3 L/min @ 28 kPa)
Inlet/Outlet	0.625" (16 mm) hose barb

Vibration Isolation Kit

CTM IMK

Optional kit protects heating system from damaging engine vibration. For use in mobile applications or non-isolated stationary skid installations.



Ordering Information
CTM

CTM with 8' (2.4 m) cord and NEMA plug* (-N00)

Engine Displacement	Power Supply			Heating System	
	V	Hz	kW	Amps	Model Number
0–500 CID 0–8 L	120	60	1	8.8	CTM10110-N00
	240	50/60	1	4.4	CTM10210-N00
500–750 CID 8–12 L	120	60	1.5	13.0	CTM15110-N00
	240	50/60	1.5	6.5	CTM15210-N00
750–1000 CID 12–20 L	120	60	2.5	21.3	CTM25110-N00
	240	50/60	2.5	10.7	CTM25210-N00

CTM with 9.8' (3 m) cord and Euro plug (-E00)**

Engine Displacement	Power Supply			Heating System	
	V	Hz	kW	Amps	Model Number
0–500CID 0–8L	120	60	1	8.8	CTM10110-E00
	240	50/60	1	4.4	CTM10210-E00
500–750CID 8–12L	120	60	1.5	13.0	CTM15110-E00
	240	50/60	1.5	6.5	CTM15210-E00
750–1000CID 12–20L	120	60	2.5	21.3	CTM25110-E00
	240	50/60	2.5	10.7	CTM25210-E00

CTM with 9.8' (3 m) cord and no plug (-A00)

Engine Displacement	Power Supply			Heating System	
	V	Hz	kW	Amps	Model Number
0–500CID 0–8L	120	60	1	8.8	CTM10110-A00
	240	50/60	1	4.4	CTM10210-A00
500–750CID 8–12L	120	60	1.5	13.0	CTM15110-A00
	240	50/60	1.5	6.5	CTM15210-A00
750–1000CID 12–20L	120	60	2.5	21.3	CTM25110-A00
	240	50/60	2.5	10.7	CTM25210-A00

* – UL/C-US listed
** – CE compliant

Other voltages available.
Consult the factory.

