

HEMOMATIK Sweden

Liquid level switch

Art.nr. HMFB-OQ

With splash protection

Drawing nr. HMFB-OQ

Rev. 4

Approved P.L.040929

Scale 1:2

O=..... mm

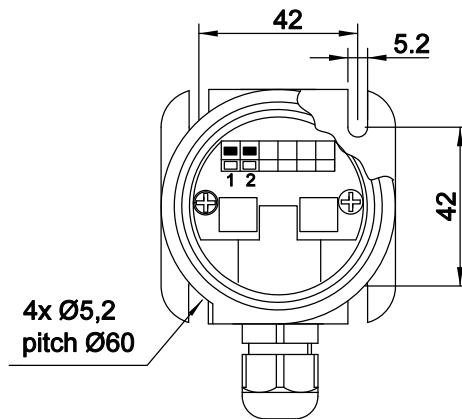
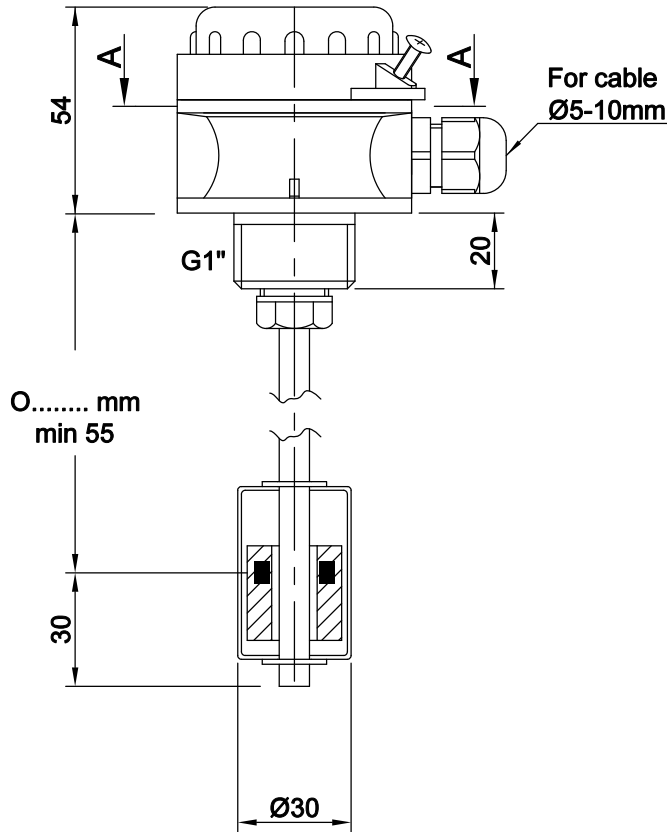
Date 940407

Sign. MEM

For switchpointmm, see label

Rev. date 211103

1 2



Section A-A

FEATURES

Float liquid level sensor with REED-technology to activate pumps or valves via relays or PCs. Recommended for oil and petroleum fluids.

MATERIALS

Stem : Brass
 Float : Buna-N (nitrofuel), S.G. 0,47
 Housing float : PVDF
 Junction box : Polyamid 6
 Gasket : Nitrile
 Temp. media : -20...+100°C
 Temp. ambient : -20...+70°C

CONTACT SYMBOLS

S = means NC low, NO going upwards
 O = means NO low, NC going upwards

PROTECTION DEGREE

Junction box : IP67
 Stem : IP68

ELECTRICAL DATA

Contact rating *	70 VA
max voltage	3-48 VAC/DC
max current	1,5 A

* = resistive load

Note. Above values are for resistive loads. Mechanical life is 30 millions. Use series resistor for lamp load, or other suitable protection for inductive loads if the rating is higher than 1/10 of the values above.

■ = Switch closed

□ = Switch open